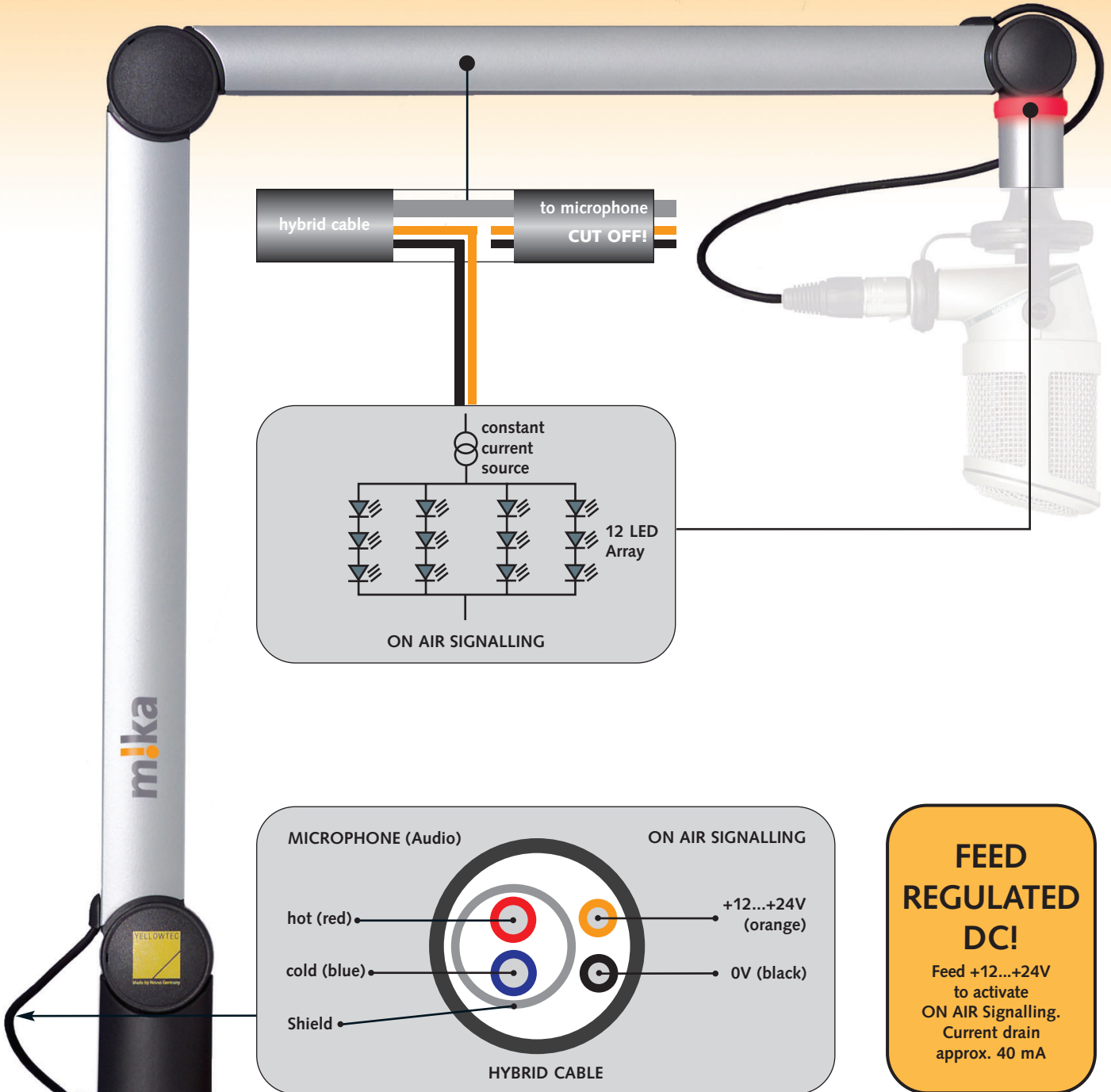




MICROPHONE ARM 'ON AIR'

YT3204 coated dark grey
YT3205 anodised aluminium



**FEED
REGULATED
DC!**

Feed +12...+24V
to activate
ON AIR Signalling.
Current drain
approx. 40 mA

DO NOT DISMANTLE!

The elaborate internal linkage and coil spring construction remain hidden from view. Dismantling any part can lead to irreversible damage and can cause serious injuries. Any servicing is strictly reserved to YELLOWTEC personnel or authorized partners. Visit our website for contact information.



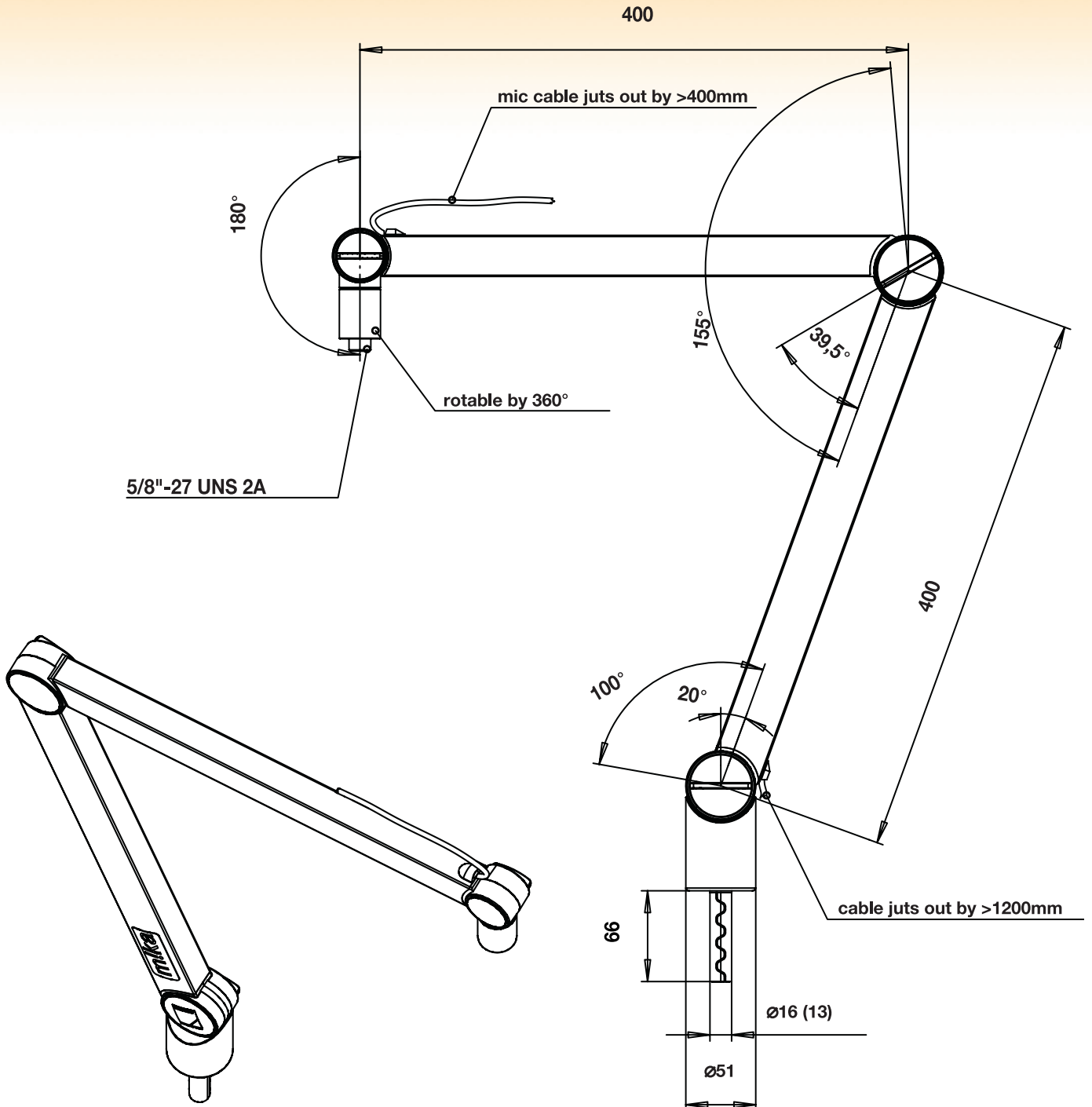
Heinrich-Hertz-Strasse 1-3
40789 Monheim, Germany
Phone +49-2173-967 315
e-mail: info@yellowtec.com
web: www.yellowtec.com



MICROPHONE ARM

YT3200 coated dark grey, w/o 'on air' signalling

YT3201 anodised aluminium, w/o 'on air' signalling



DO NOT DISMANTLE!

The elaborate internal linkage and coil spring construction remain hidden from view. Dismantling any part can lead to irreversible damage and can cause serious injuries. Any servicing is strictly reserved to YELLOWTEC personnel or authorized partners. Visit our website for contact information.

YELLOWTEC

Heinrich-Hertz-Strasse 1-3
40789 Monheim, Germany
Phone +49-2173-967 315
e-mail: info@yellowtec.com
web: www.yellowtec.com