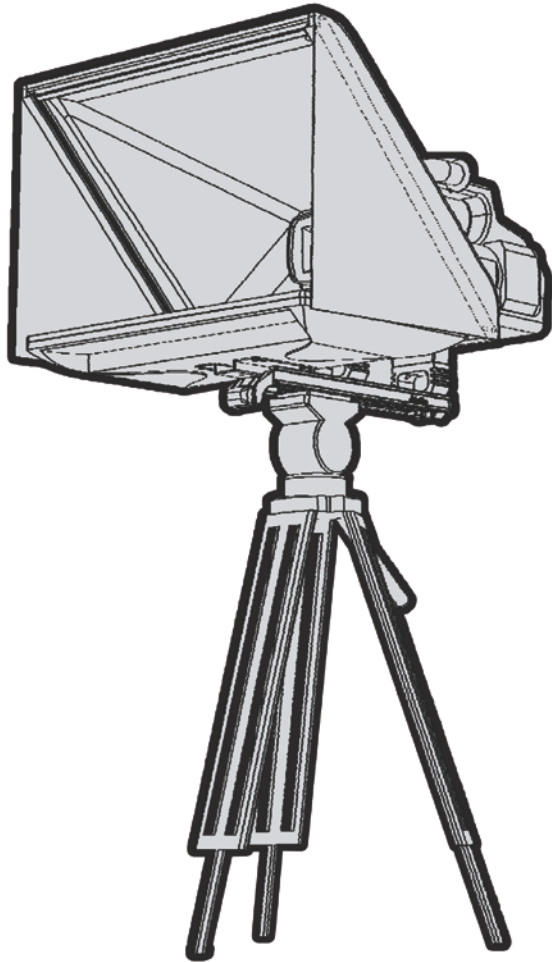


**datavideo**



**LOOK BACK KIT  
LBK-1**

# **Instruction Manual**

[www.datavideo.com](http://www.datavideo.com)

## Warnings and Precautions

1. Read all of these warnings and save them for later reference.
2. Follow all warnings and instructions marked on this unit.
3. Unplug this unit from the wall outlet before cleaning. Do not use liquid or aerosol cleaners. Use a damp cloth for cleaning.
4. Do not use this unit in or near water.
5. Do not place this unit on an unstable cart, stand, or table. The unit may fall, causing serious damage.
6. Slots and openings on the cabinet top, back, and bottom are provided for ventilation. To ensure safe and reliable operation of this unit, and to protect it from overheating, do not block or cover these openings. Do not place this unit on a bed, sofa, rug, or similar surface, as the ventilation openings on the bottom of the cabinet will be blocked. This unit should never be placed near or over a heat register or radiator. This unit should not be placed in a built-in installation unless proper ventilation is provided.
7. This product should only be operated from the type of power source indicated on the marking label of the AC adapter. If you are not sure of the type of power available, consult your Datavideo dealer or your local power company.
8. Do not allow anything to rest on the power cord. Do not locate this unit where the power cord will be walked on, rolled over, or otherwise stressed.
9. If an extension cord must be used with this unit, make sure that the total of the ampere ratings on the products plugged into the extension cord do not exceed the extension cord rating.
10. Make sure that the total amperes of all the units that are plugged into a single wall outlet do not exceed 15 amperes.
11. Never push objects of any kind into this unit through the cabinet ventilation slots, as they may touch dangerous voltage points or short out parts that could result in risk of fire or electric shock. Never spill liquid of any kind onto or into this unit.
12. Except as specifically explained elsewhere in this manual, do not attempt to service this product yourself. Opening or removing covers that are marked "Do Not Remove" may expose you to dangerous voltage points or other risks, and will void your warranty. Refer all service issues to qualified service personnel.
13. Unplug this product from the wall outlet and refer to qualified service personnel under the following conditions:
  - a. When the power cord is damaged or frayed;
  - b. When liquid has spilled into the unit;
  - c. When the product has been exposed to rain or water;
  - d. When the product does not operate normally under normal operating conditions. Adjust only those controls that are covered by the operating instructions in this manual; improper adjustment of other controls may result in damage to the unit and may often require extensive work by a qualified technician to restore the unit to normal operation;
  - e. When the product has been dropped or the cabinet has been damaged;
  - f. When the product exhibits a distinct change in performance, indicating a need for service.

## Warranty

### Standard Warranty

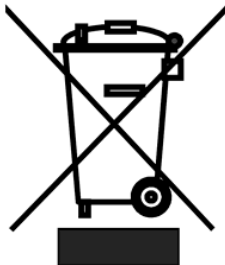
- Datavideo equipment is guaranteed against any manufacturing defects for one year from the date of purchase.
- The original purchase invoice or other documentary evidence should be supplied at the time of any request for repair under warranty.
- Damage caused by accident, misuse, unauthorized repairs, sand, grit or water is not covered by this warranty.
- All mail or transportation costs including insurance are at the expense of the owner.
- All other claims of any nature are not covered.
- Cables & batteries are not covered under warranty.
- Warranty only valid within the country or region of purchase.
- Your statutory rights are not affected.

### Two Year Warranty

- All Datavideo products purchased after 01-Oct.-2008 qualify for a free one year extension to the standard Warranty, providing the product is registered with Datavideo within 30 days of purchase. For information on how to register please visit [www.datavideo.com](http://www.datavideo.com) or contact your local Datavideo office or authorized Distributors

Any second year warranty claims must be made to your local Datavideo office or one of its authorized Distributors before the extended warranty expires.

## Disposal



### For EU Customers only - WEEE Marking

This symbol on the product indicates that it will not be treated as household waste. It must be handed over to the applicable take back scheme for the recycling of Waste Electrical and Electronic Equipment. For more detailed information about the recycling of this product, please contact your local Datavideo office.

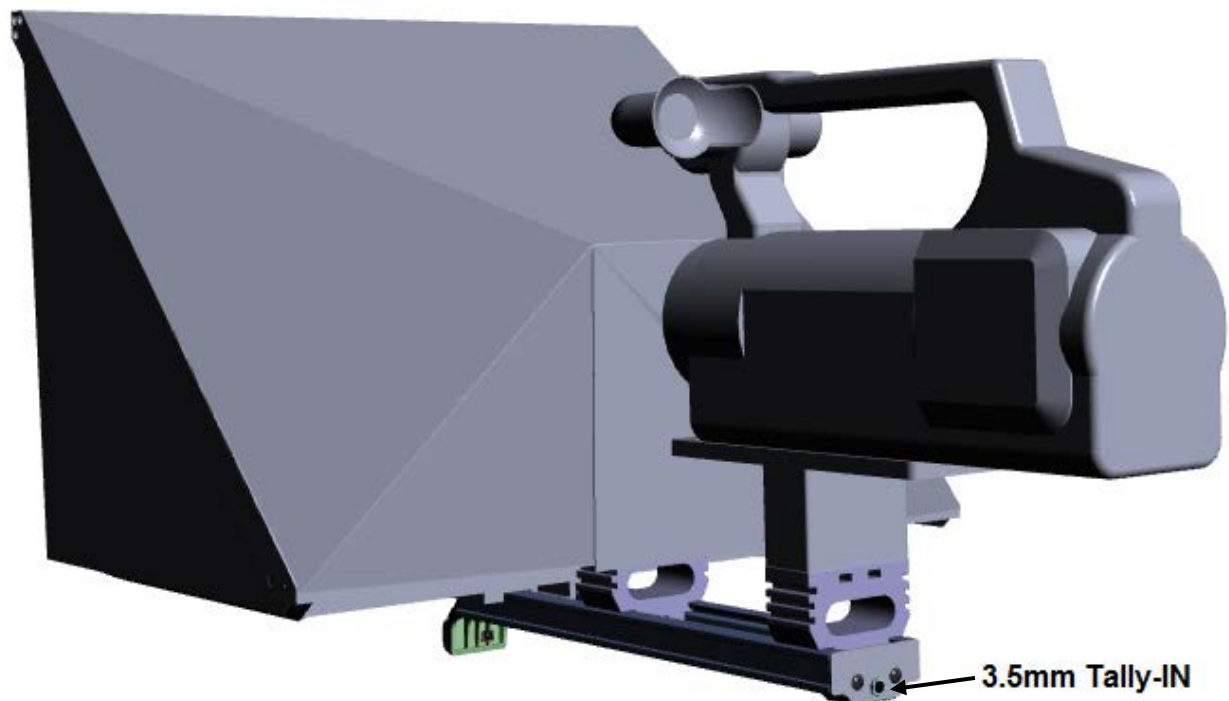
## 1. Overview

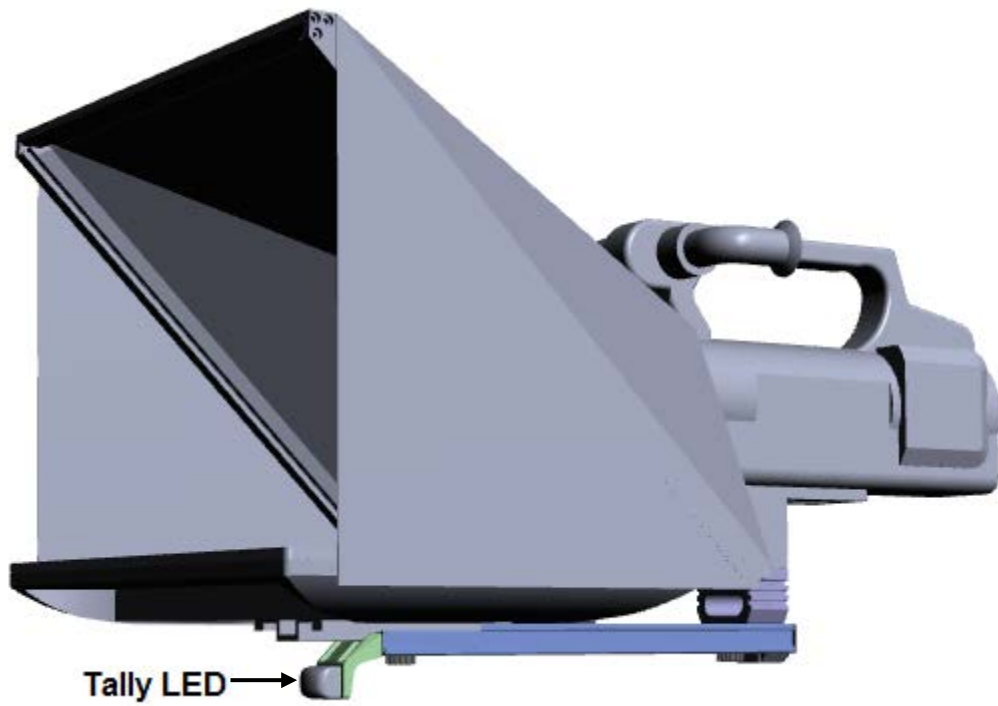
The LBK-1 Look Back Kit can be used in any Camera Setup. The kit contains a look back mirror, which allows the user or talent to view his/her mirrored image reflected off from a 22" monitor connected to the Virtual Interactive Board System (MS-VGB1K). Hence, the LBK-1 can be used as a part of total VGB-1000F or VGB-1000R solution by mounting it to the tripod mount quick release system.

### 1.1 Features

- Allows mounting of up to 22" monitor with 16:9 aspect ratio and four 100x100mm VESA mount holes (MIS-D/100/C), for example ACER KA220HQ.
- Large sized mirror installed with a green sticker facing outward.
- Large hood to cover 2 sides of the mirror.
- Red Tally Light
- Adjustable camera mount dock

### 1.2 Tally LED and Input Phone Jack

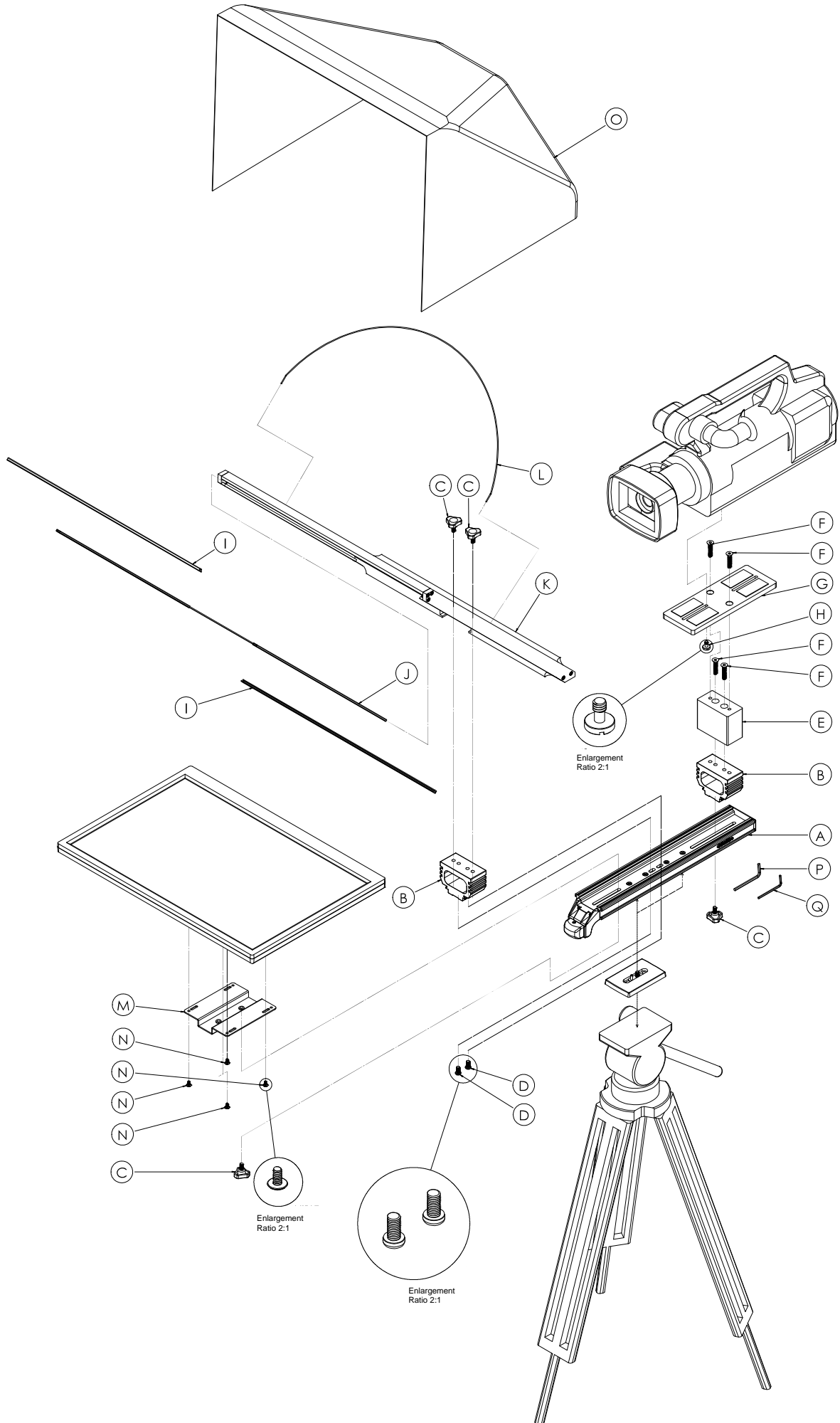




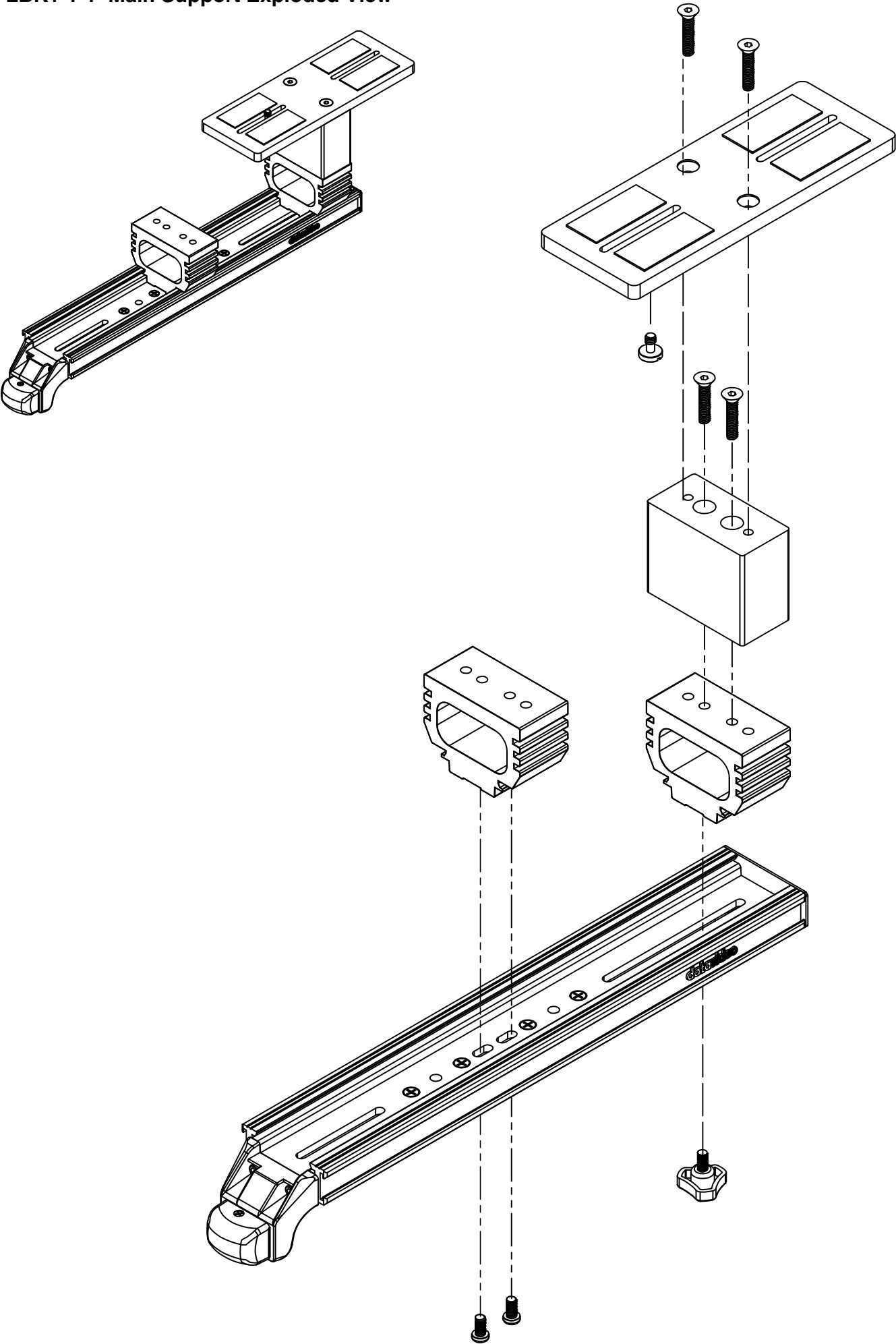
## 2. Parts List and Look Back Kit Exploded View

Parts List		
Label	Name	Quantity
A	Main Support Rail	1
B	Spacer Block	2
C	Screw (Wing Nut 1/4 20UNC 12.5mm Nickel Plated)	4
D	Screw (Pan-Head 1/4" 20UNC 12mm Nickel Plated)	2
E	Riser Block	1
F	Screw (1/4" 20UNC Hex Head 31mm)	4
G	Camera Dock Module	1
H	1/4 20UNC Screw	1
I	Anti-Collision Rubber Strip	2
J	Glass Sheet	1
K	Glass Frame Module	1
L	Hood Support Wire	1
M	LCD Mounting Bracket	1
N	Nyloc Screw (ISO Counter Sunk M4*8m/m Black (RoHS))	4
O	Cloth Snood/Hood	1
P	Hex Tool 4mm	1
Q	Hex Tool 3mm	1

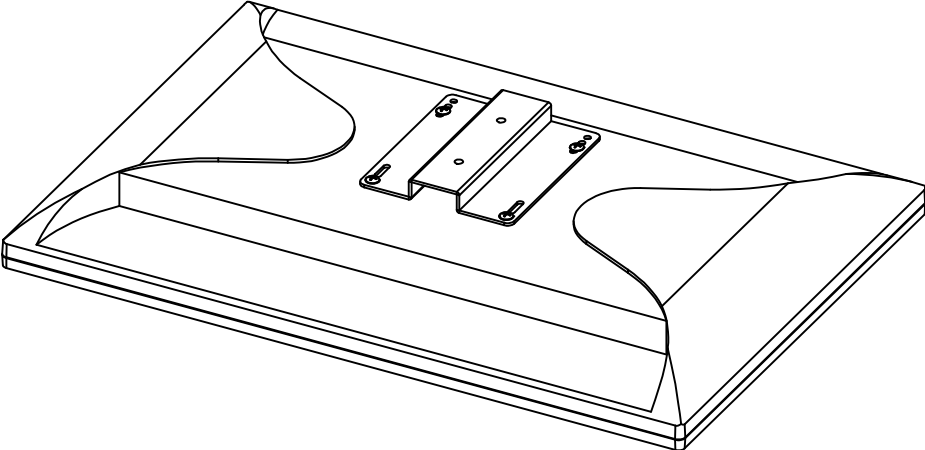
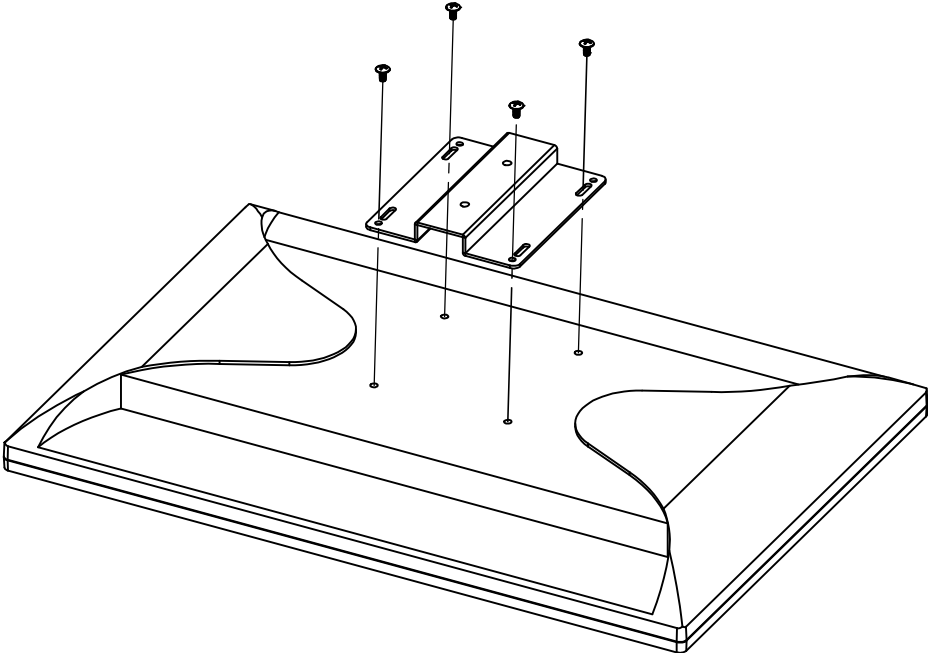
# Look Back Kit Exploded View



LBK1-1-1 Main Support Exploded View

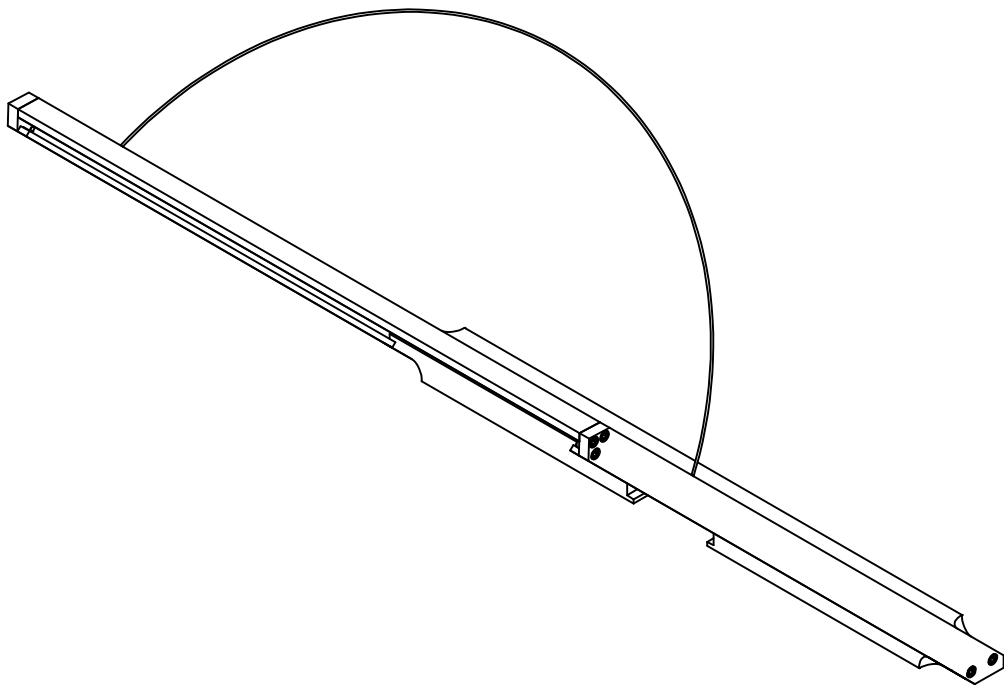
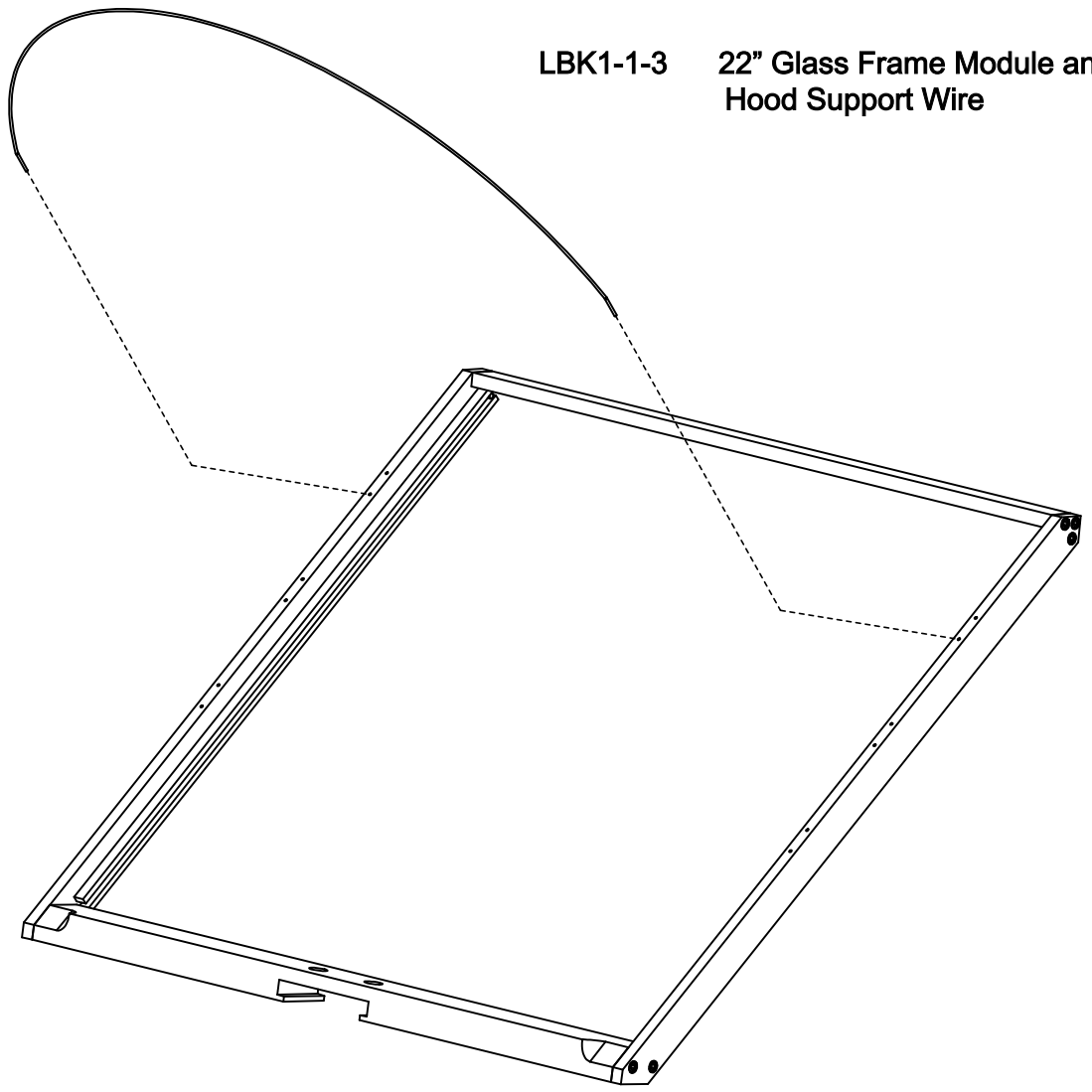


LBK1-1-2 22" Monitor and LCD Display Mount

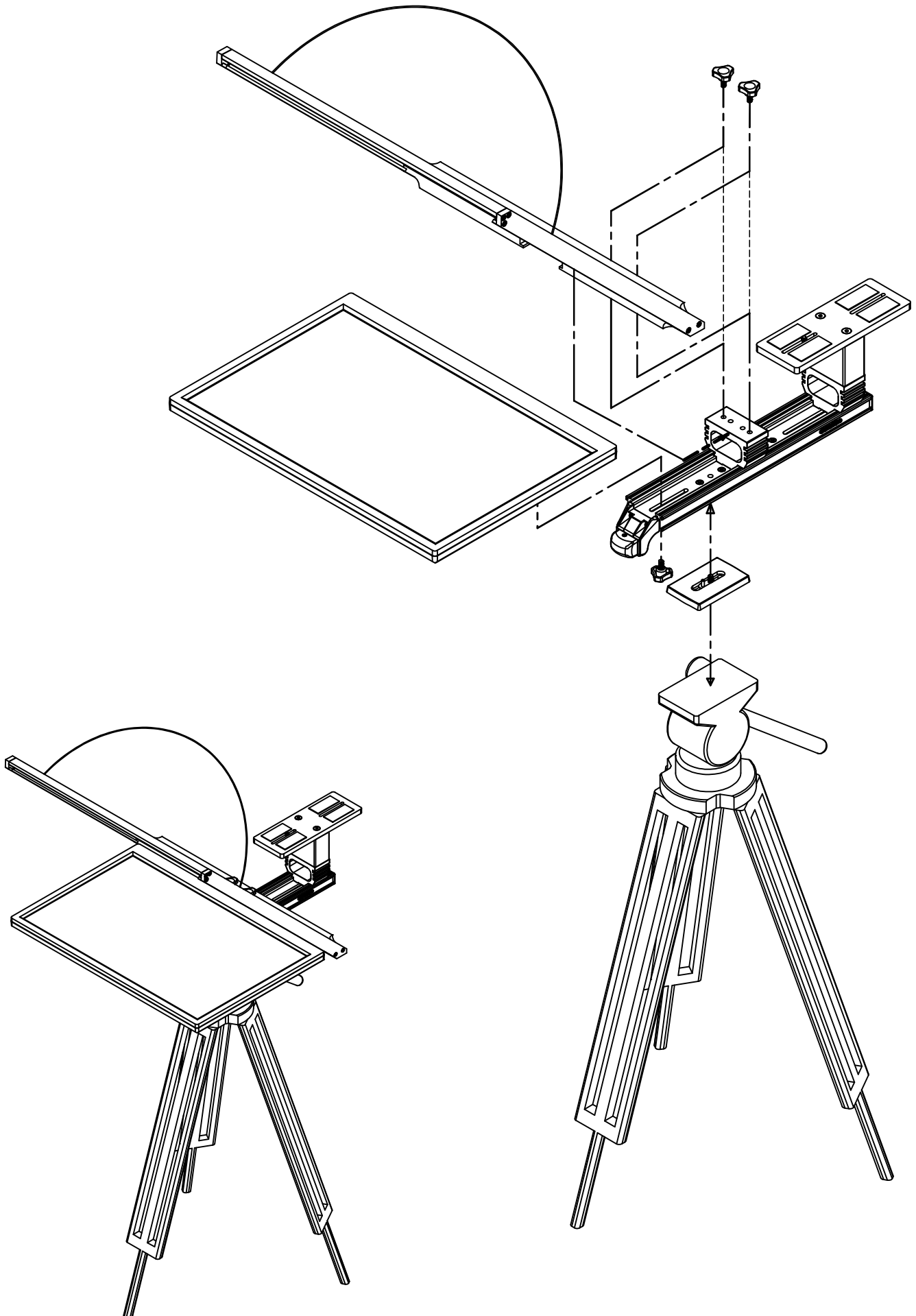




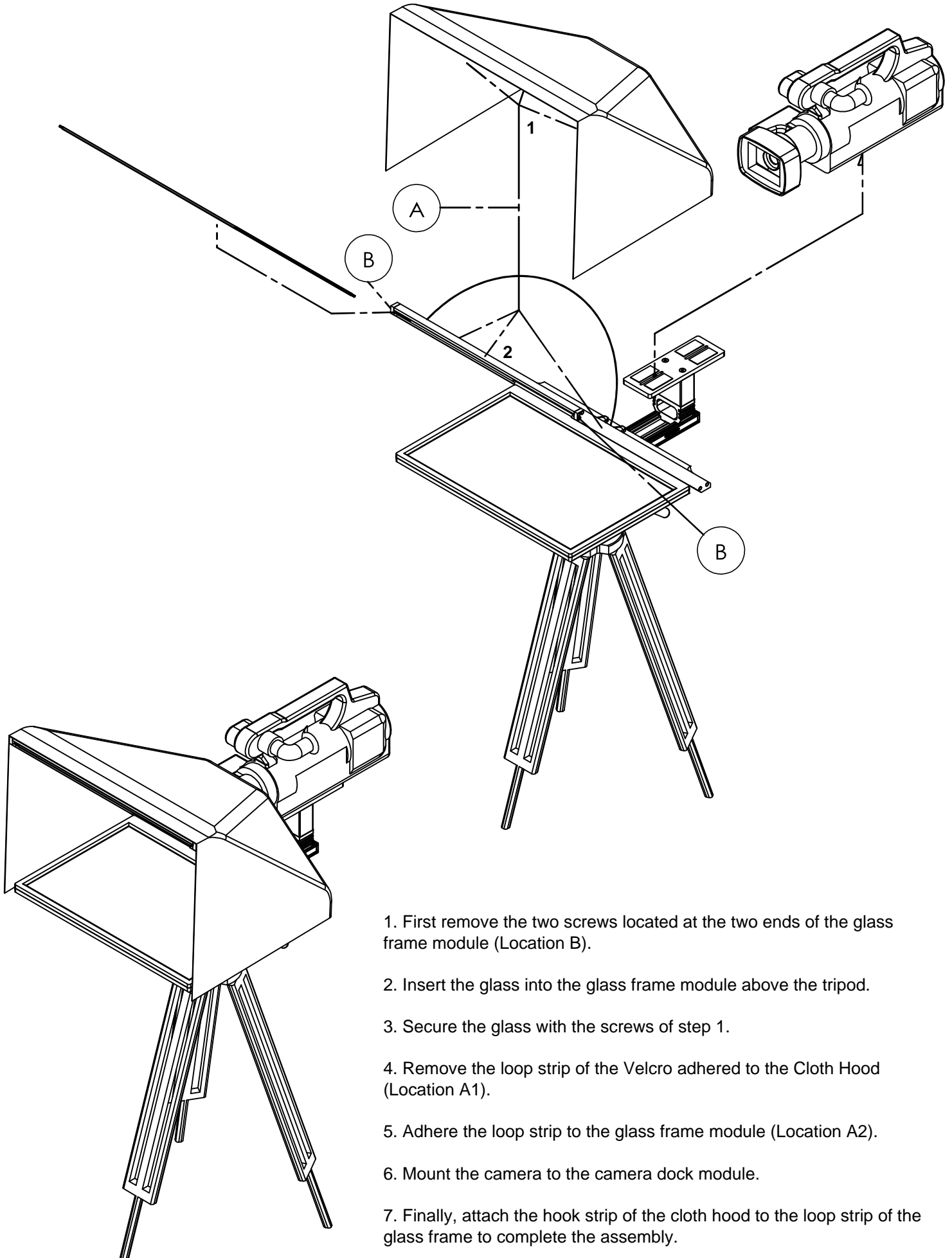
**LBK1-1-3 22" Glass Frame Module and Hood Support Wire**



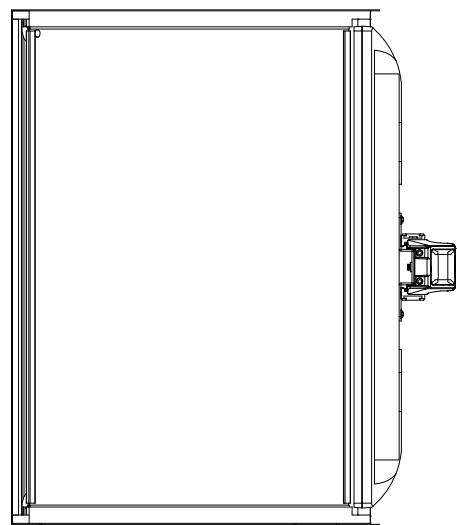
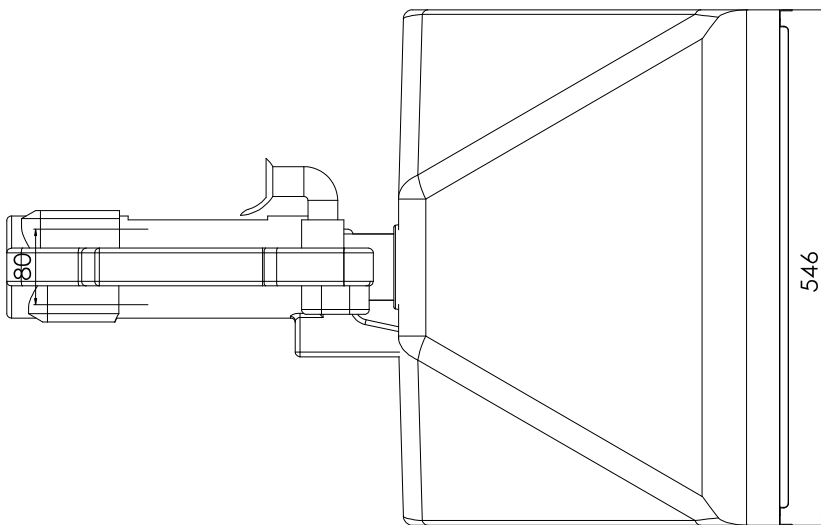
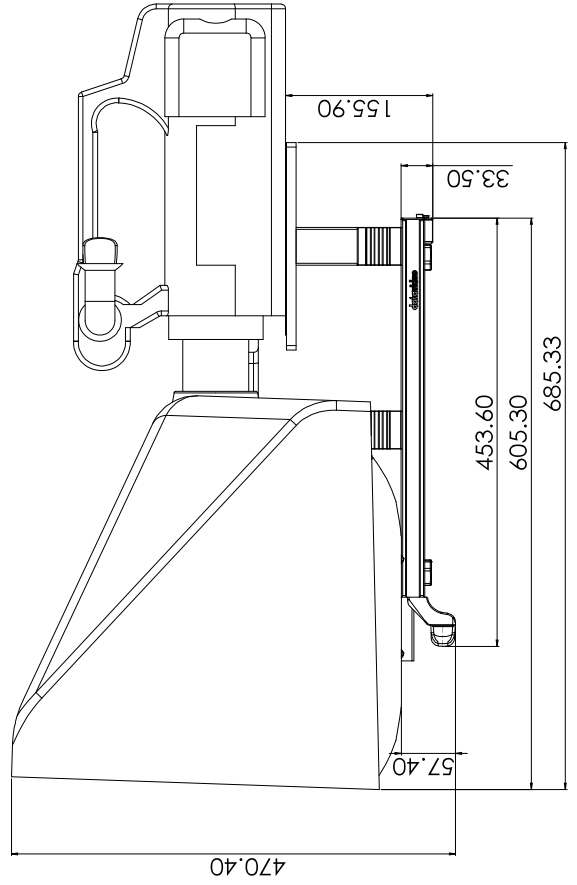
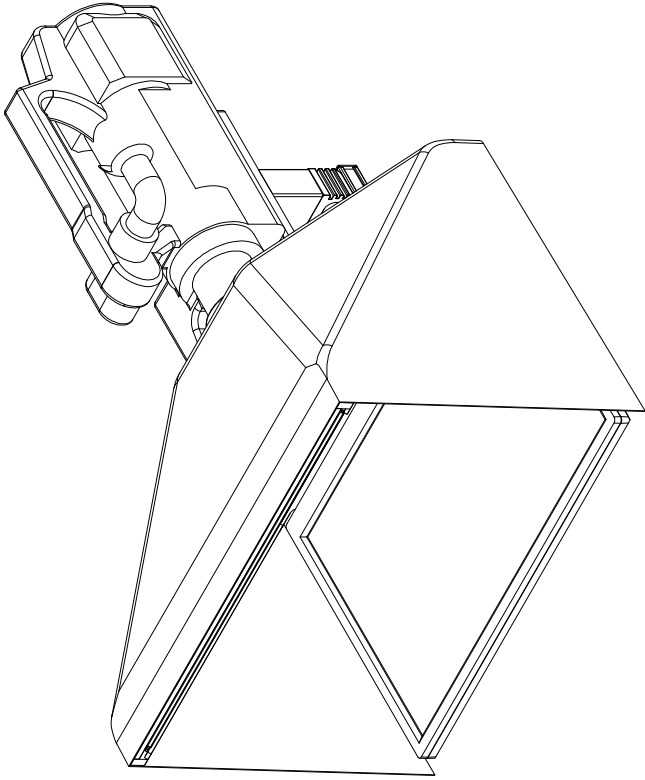
**LBK1-2 Exploded view of Main Support, Glass Frame, LCD Display and Tripod**



## LBK1-3 Look Back Kit Assembly



### 3. Dimensions



## 4. Specifications

<b>Tally Light</b>	
<b>Color</b>	Red
<b>Number</b>	1
<b>Input Interface</b>	3.5mm Phone Jack
<b>Dimensions</b>	
<b>Length</b>	685.33 mm
<b>Width</b>	546 mm
<b>Height</b>	470.4 mm
<b>Product Weight</b>	Approximately 5 Kg
<b>Remarks</b>	Not inclusive of Monitor, Camera, Tripod and Quick Release Plate



## 安裝注意事項

1. 使用前，請先仔細閱讀本說明書，並請妥善保存本說明書。
2. 請確實遵守產品上所標示的警告標誌及說明指示。
3. 清潔本產品前，請先拔掉電源插頭。勿用液態或腐蝕性清潔劑，使用一般濕布清潔擦拭即可。
4. 請勿在靠近水的地方使用本產品。
5. 請勿將產品置放在不平穩的地方，像是手推車、立架等，以免掉落造成產品嚴重損害。
6. 本產品外殼、背部及底部的開孔是為了散熱用的，請勿覆蓋或塞住這些開孔，以免造成機器過熱。避免將本產品置放在床、沙發、毯子...等表面類似的物品上，才不會塞住開孔。請勿將本產品置放在靠近火源、暖氣爐或熱氣口的地方。除非確定有適當的通風口，否則請勿將本產品置放在一個密閉式的空間裏。
7. 本產品所使用之電源，請依照電源轉換器上的標示。
8. 避免讓任何東西壓到本產品的電源線，也避免將本產品壓在別的電源線上。
9. 使用延長線時，請確認所使用的總電量 / 總安培數，不得超過延長線所負荷的總安培數。而插入牆壁插座中所使用的總電量則不得超過15安培的限度。
10. 請勿在機體開孔塞入任何東西，以免觸電或引起短路走火；請勿在本產品上潑濺任何液體。
11. 請勿擅自進行拆解維修。如擅自打開或移動標示有“請勿移動”的蓋殼，將會使你暴露在電壓或其他的危險下。請向服務人員洽詢所有的服務事項。
12. 如有下列情形發生，請將本產品的插頭拔掉，並向合格的經銷商或服務人員洽詢：
  - 電源線或插頭有損害或散開剝落的情形。
  - 有液體滲進本產品中。
  - 如果本產品曾淋到雨或被潑到水。
  - 如已依照本使用說明書之操作規則，仍無法正常使用時。只可調整本使用說明書中所提到可以調整的地方，因為其他地方的調整如果不恰當，有可能會導致本產品受損害，而且會讓合格的技術人員花更長的時間維修，才能恢復到原來的狀態。
  - 如果本產品曾掉落或機體曾受損害。
  - 如果本產品的性能有異常的改變，請洽詢經銷商。

## 產品處置



### 本產品符合歐盟 WEEE 廢電子電機設備指令

為了應付日漸增加的廢電子電機廢棄物，減輕掩埋場及焚化爐的負擔，防止廢電子電機廢棄物中所含之有害物質進入環境，歐盟於 2003 年 1 月 27 日通過「廢電子電機設備指令」（Directive on the Waste Electronics and Electrical

Equipment WEEE），要求製造商必須負起收集、回收並妥善處置廢電子電機產品。您購買本公司產品將不會成為廢器物，它會有效的回收並加以處理。

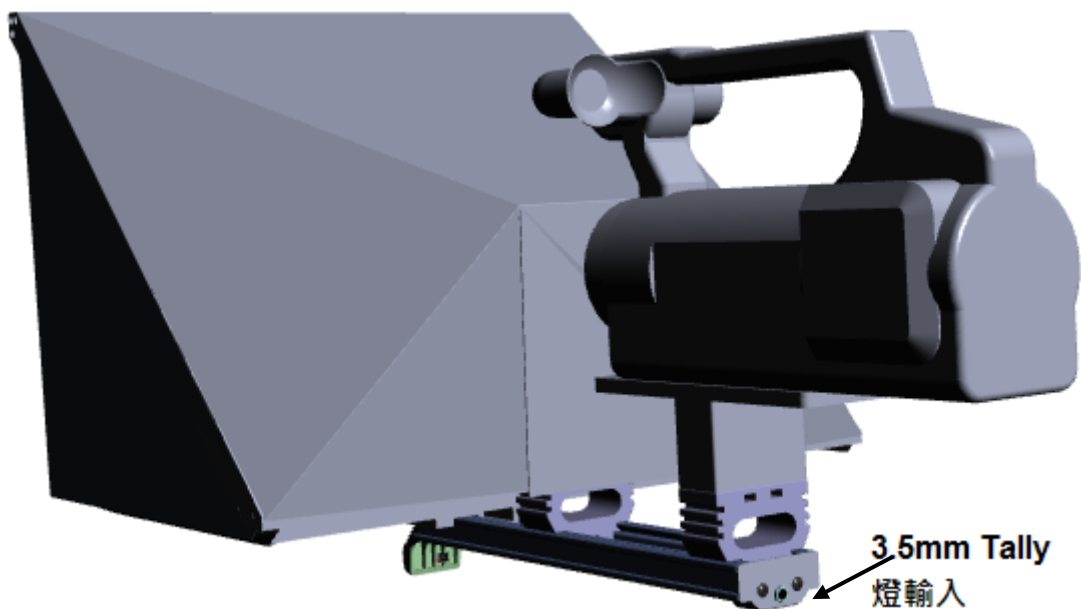
## 1. 產品介紹

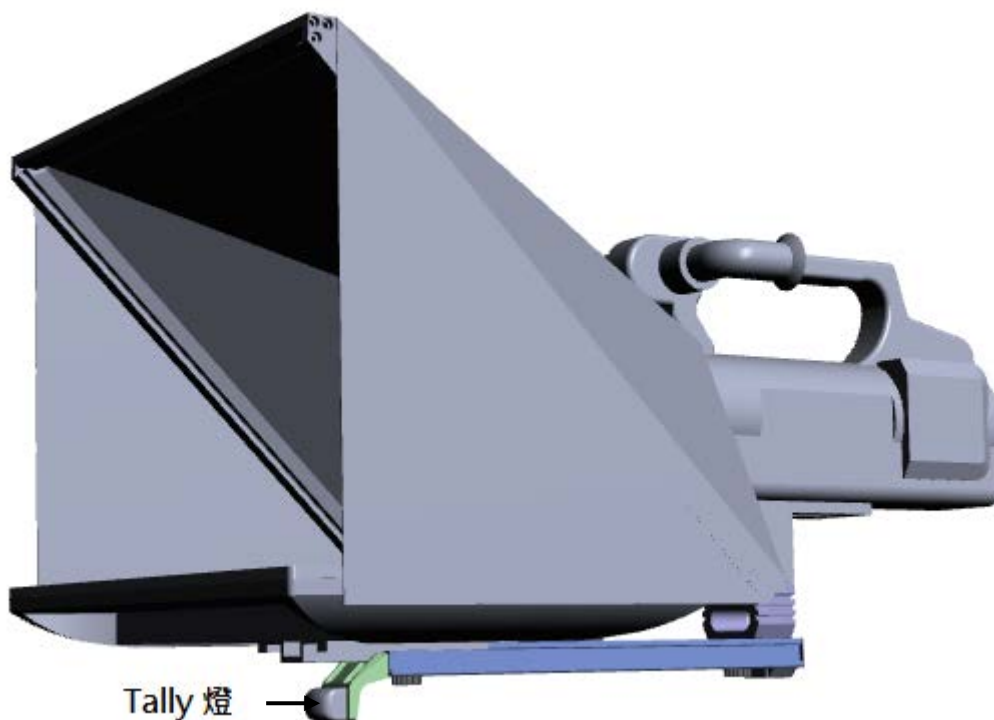
LBK-1 回看組可用在任何攝影機的架設環境。LBK-1 包含一片回看鏡，可讓使用者看到他自己在 22 吋螢幕上的鏡像畫面。22 吋螢幕可連接至虛擬互動白板系統(MS-VGB1K)，也因此 LBK-1 可透過安裝在具有快速移除裝置的三腳架座上，並成為 VGB-1000F 或 VGB-1000R 解決方案的一部份。

### 1.1 產品特點

- 可安裝最大到 22 吋 MIS-D/100/C VESA 規格顯示器(螢幕長寬比為 16:9)，例如 ACER KA220HQ
- 大尺寸鏡面安裝時將綠貼紙超外
- 大型遮光裝置可覆蓋鏡面兩側
- 紅色 tally 燈

### 1.2 Tally 燈及訊號輸入孔



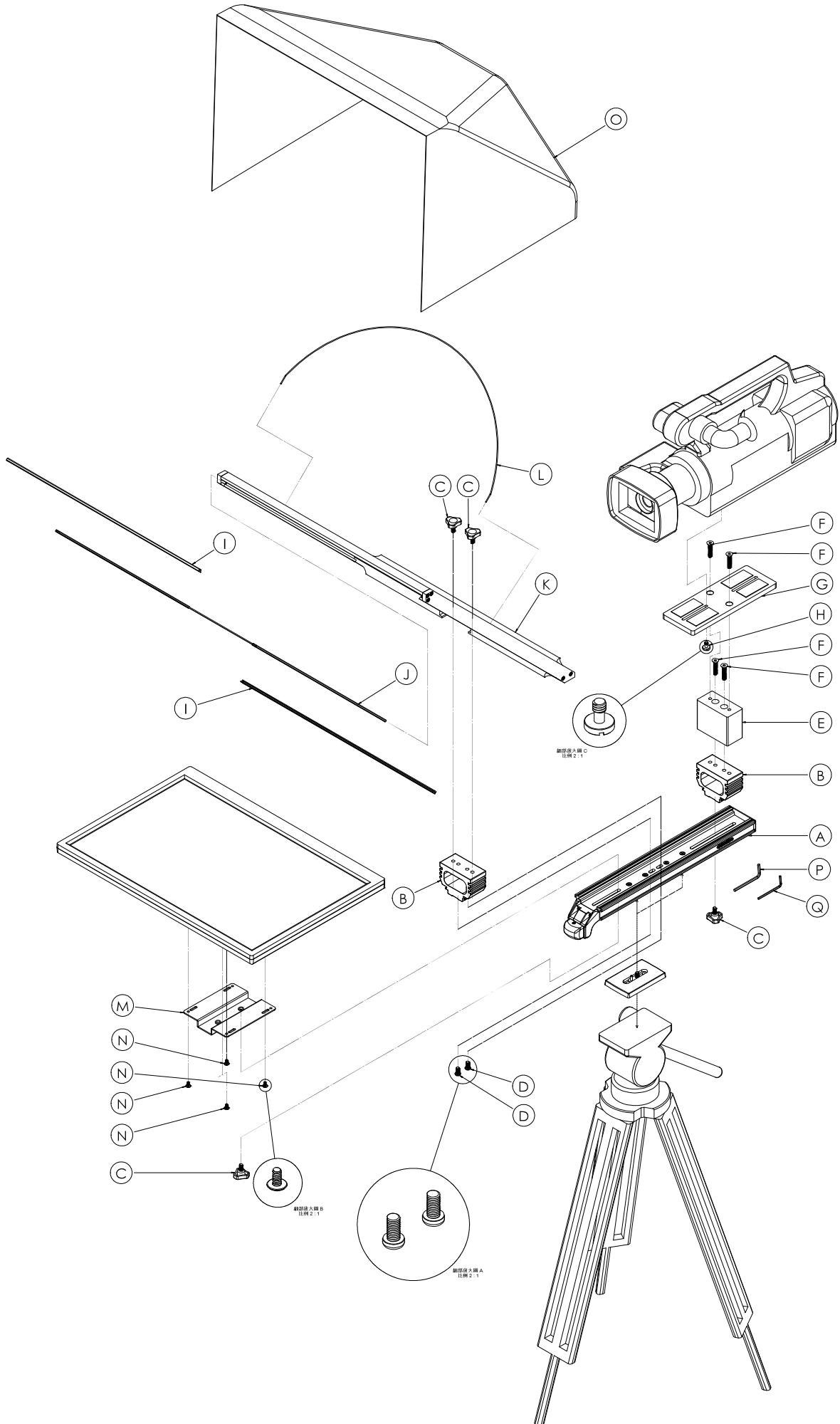


## 2. 零件表及 LBK-1 回看組爆炸圖

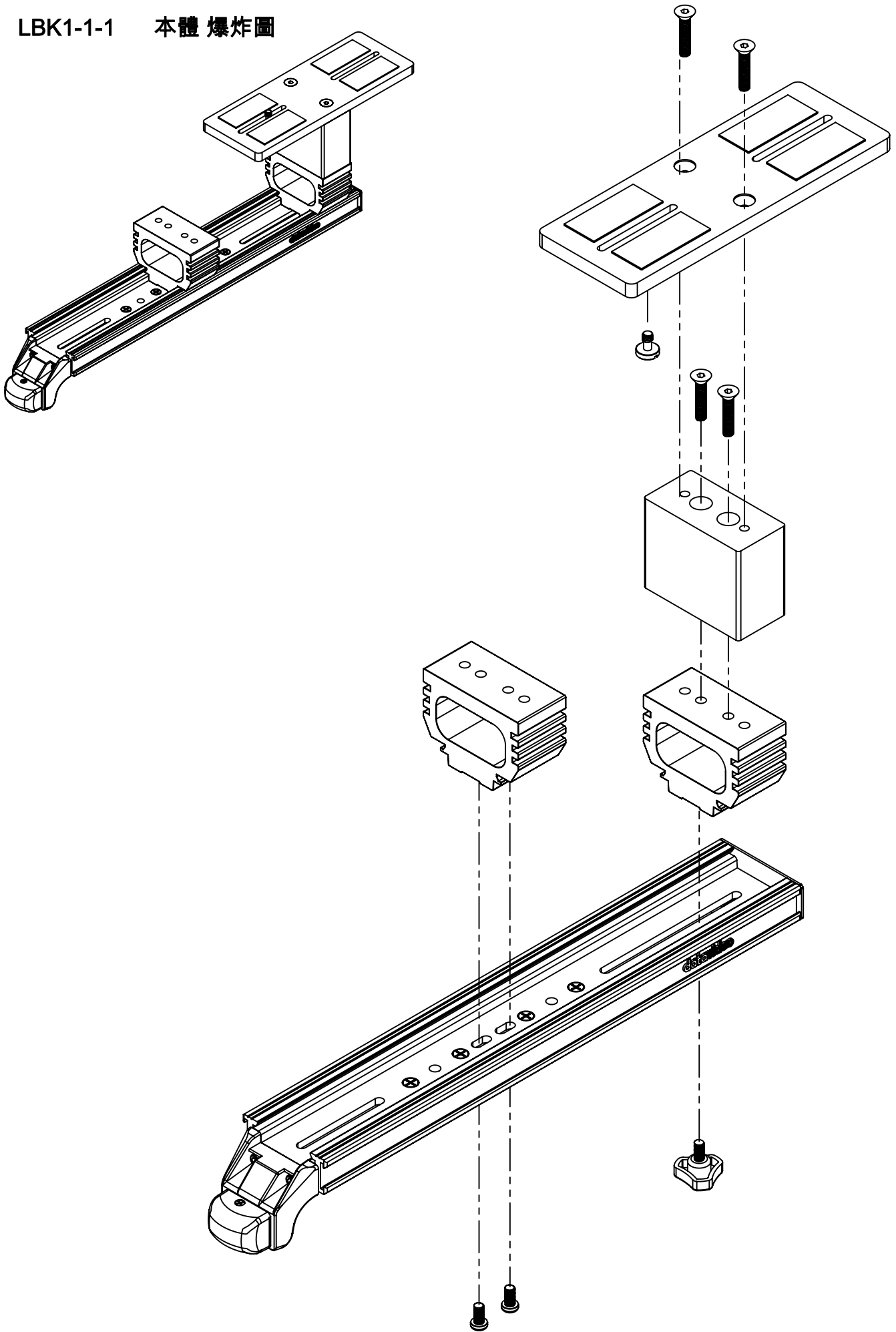
零件表		
標號	名稱	數量
A	主支架模組	1
B	載板固定塊	2
C	手旋螺絲 三角形 1/4 20UNC 12.5mm 鍍鎳	4
D	螺絲 圓頭 1/4 20UNC 12mm 黑	2
E	載板增高塊	1
F	螺絲 1-4 20unc 內六角皿頭 31mm	4
G	載板模組	1
H	1/4 20 牙 手旋螺絲	1
I	防撞膠條 VP-450 MS-1000	2
J	分光鏡玻璃	1
K	分光鏡架模組	1
L	支撐條	1
M	LCD 固定架	1
N	耐落螺絲 ISO 傘頭 M4*8m/m 亞黑 (RoHS)	4
O	遮光布	1
P	L 型六角板手 4mm	1
Q	L 型六角板手 3mm	1



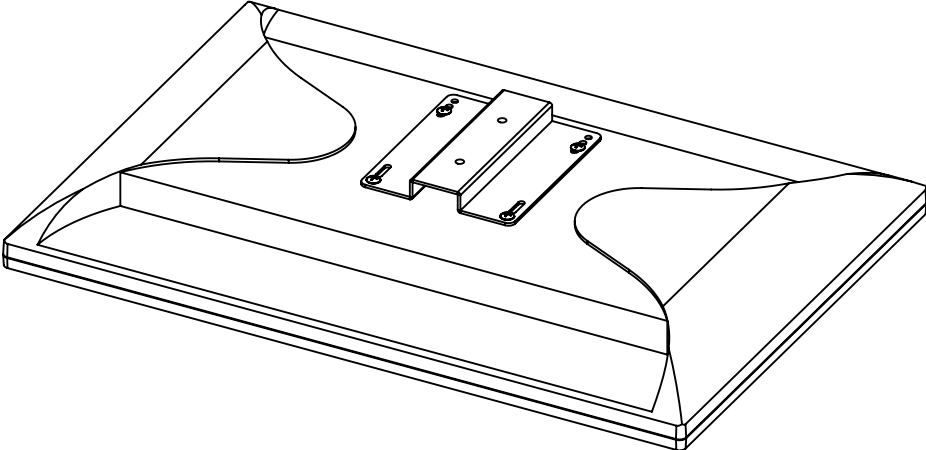
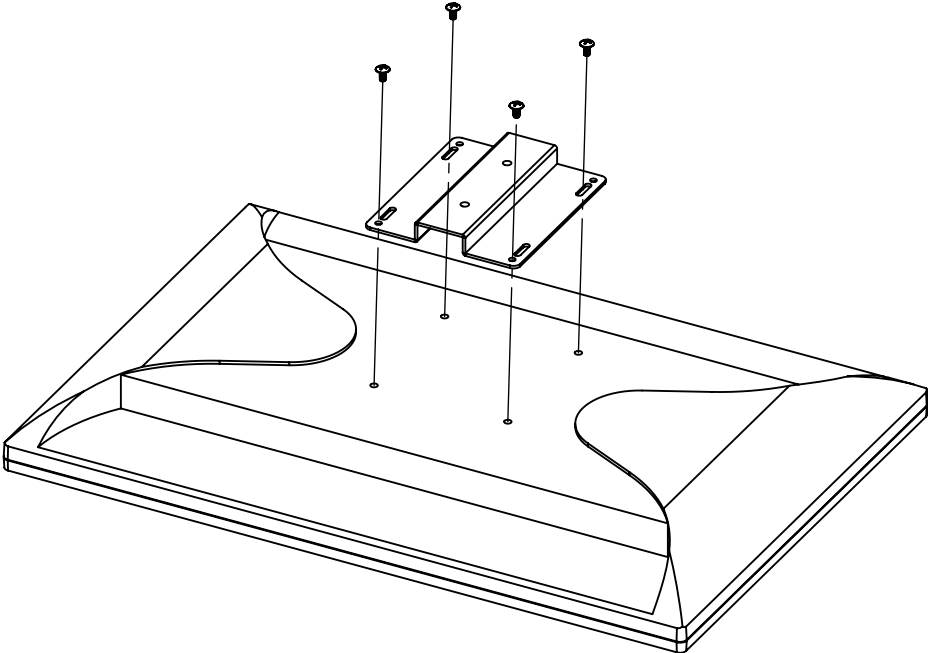
# LBK-1 回看組爆炸圖



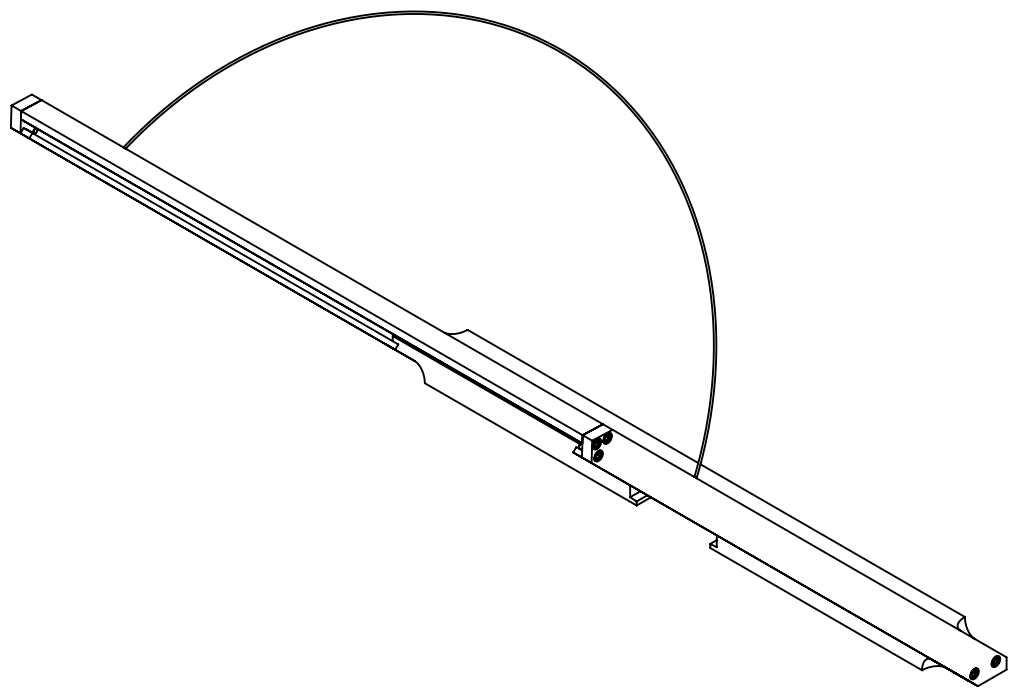
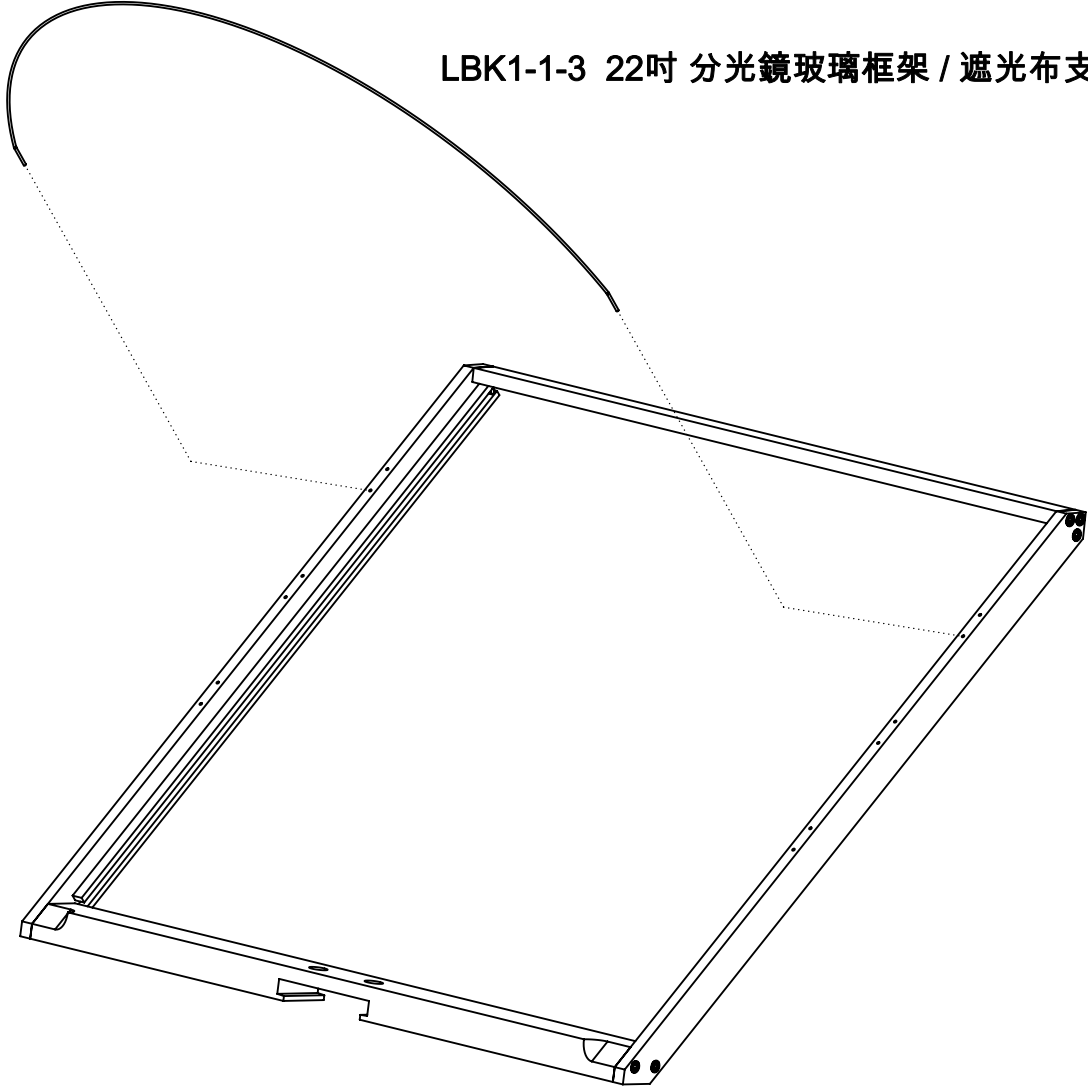
LBK1-1-1 本體 爆炸圖



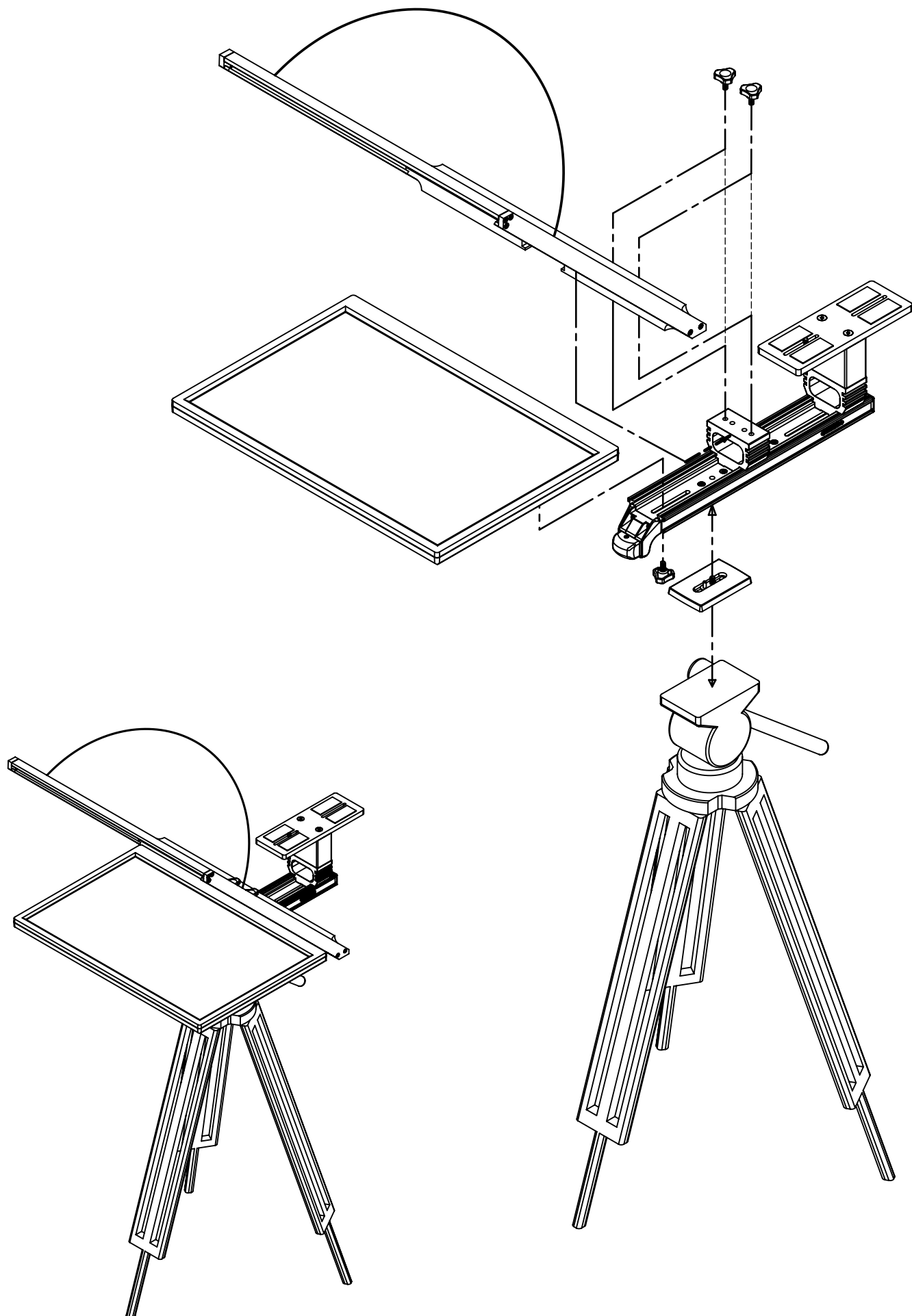
LBK1-1-2 22吋螢幕 / LCD固定架



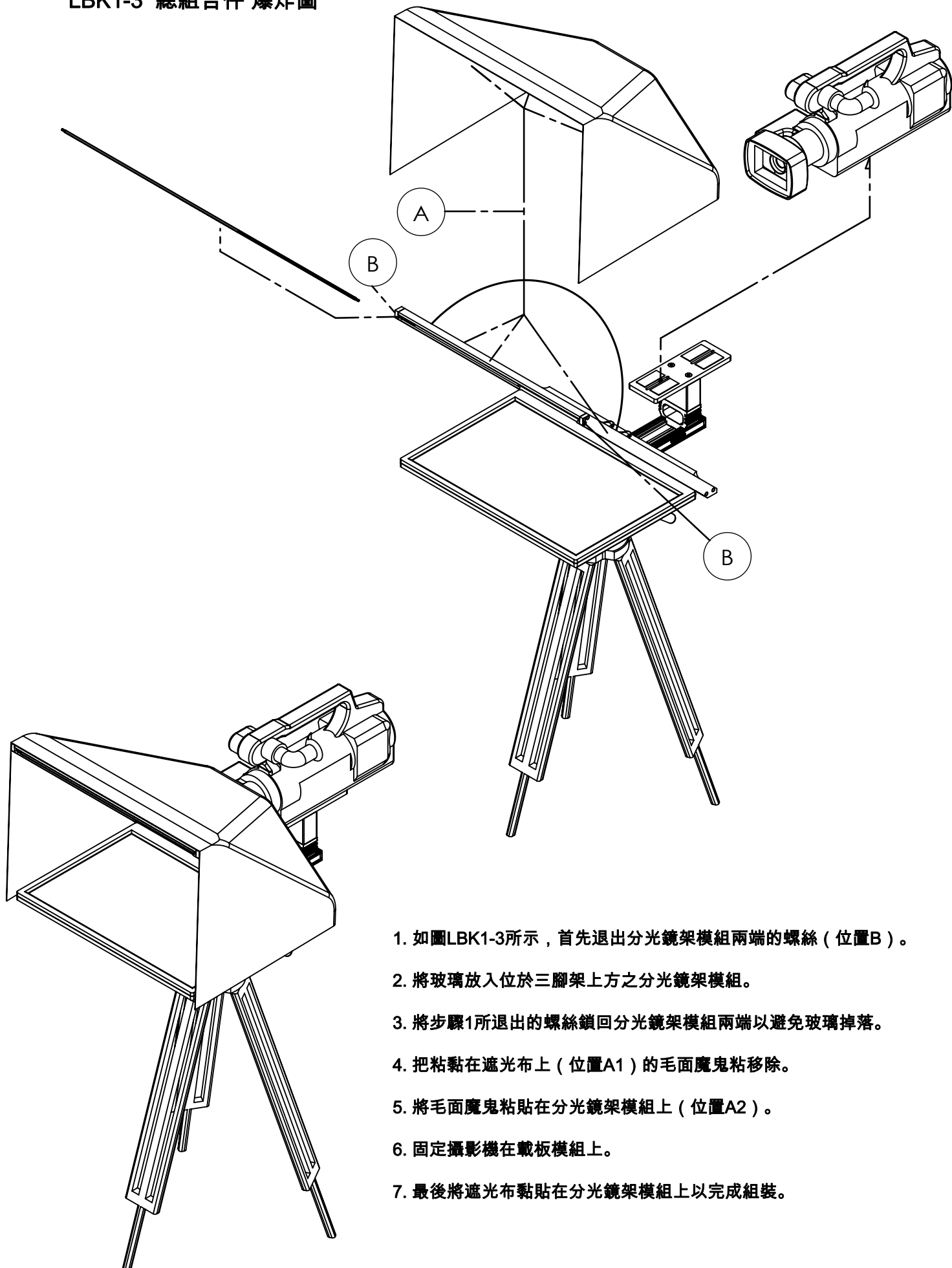
LBK1-1-3 22吋 分光鏡玻璃框架 / 遮光布支撐條



LBK1-2 本體 / 鏡框 / LCD / 三腳架 爆炸圖

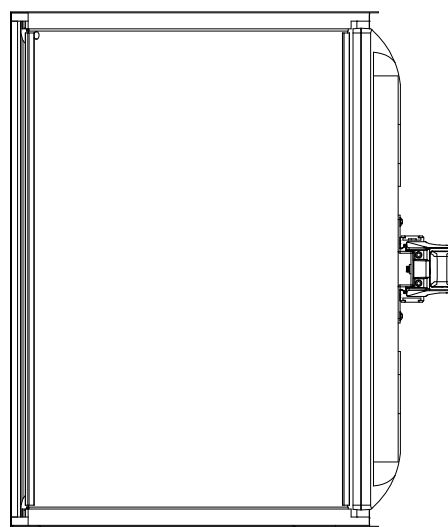
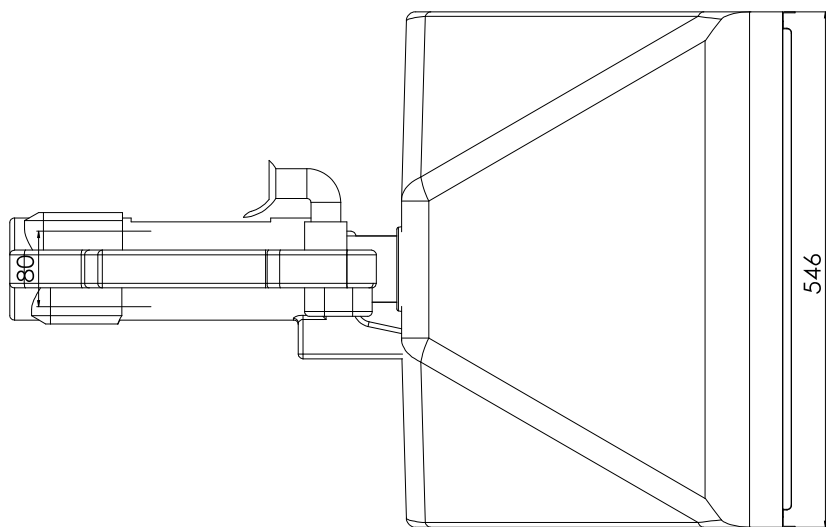
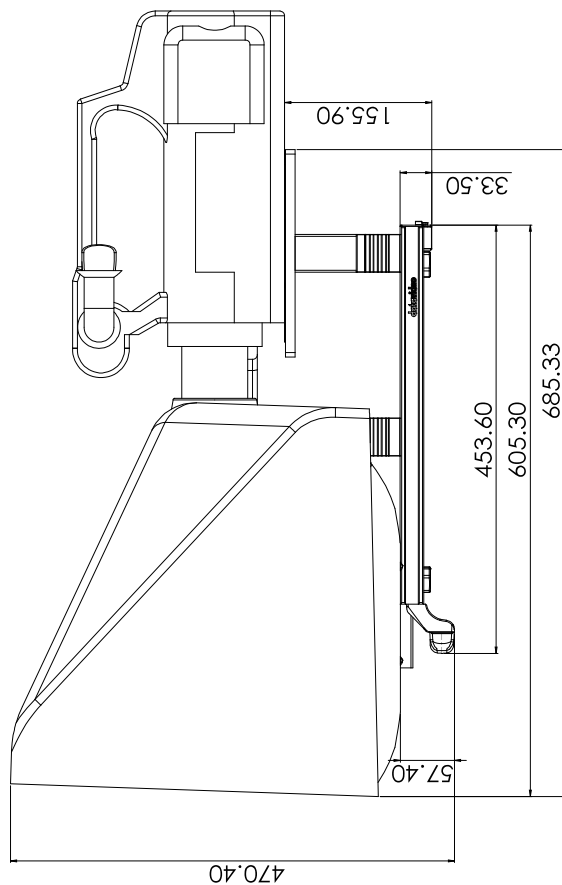
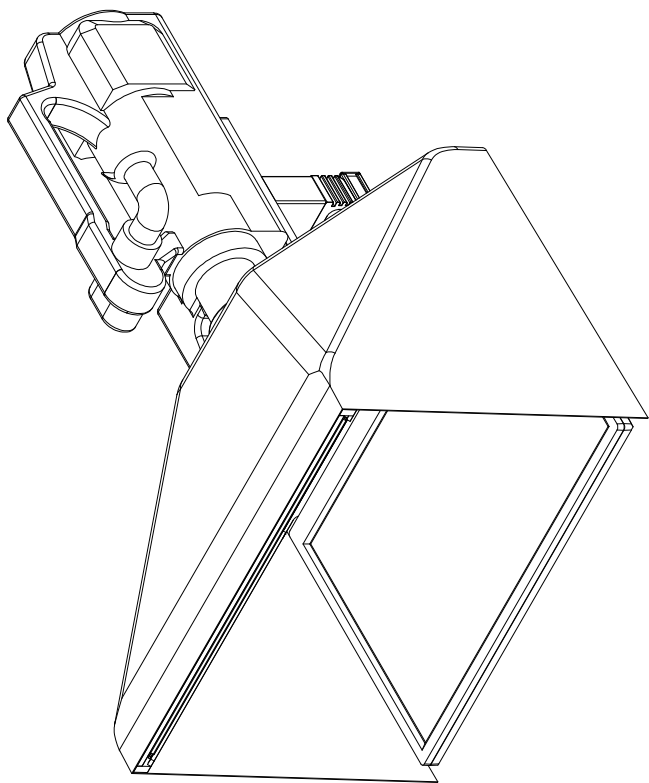


## LBK1-3 總組合件 爆炸圖



1. 如圖LBK1-3所示，首先退出分光鏡架模組兩端的螺絲（位置B）。
2. 將玻璃放入位於三腳架上方之分光鏡架模組。
3. 將步驟1所退出的螺絲鎖回分光鏡架模組兩端以避免玻璃掉落。
4. 把粘黏在遮光布上（位置A1）的毛面魔鬼粘移除。
5. 將毛面魔鬼粘貼在分光鏡架模組上（位置A2）。
6. 固定攝影機在載板模組上。
7. 最後將遮光布黏貼在分光鏡架模組上以完成組裝。

### 3. 尺寸圖



#### 4. 產品規格

<b>Tally 燈</b>	
<b>顏色</b>	紅色
<b>編號</b>	1
<b>輸入介面</b>	3.5mm Phone Jack
<b>產品尺寸</b>	
<b>長度</b>	685.33 mm
<b>寬度</b>	546 mm
<b>高度</b>	470.4 mm
<b>產品重量</b>	Approximately 5 Kg
<b>備註</b>	Not inclusive of Monitor, Camera, Tripod and Quick Release Plate



# Service & Support

It is our goal to make owning and using Datavideo products a satisfying experience. Our support staff is available to assist you to set up and operate your system. Contact your local office for specific support requests. Plus, please visit [www.datavideo.com](http://www.datavideo.com) to access our FAQ section.

## Datavideo Taiwan

Datavideo Technologies Co. Ltd  
10F. No. 176, Jian 1st Rd., Chung Ho  
District, New Taipei City 235, Taiwan,  
R.O.C.  
Tel: +886-2-8227-2888  
Fax: +886-2-8227-2777  
E-mail: [service@datavideo.com.tw](mailto:service@datavideo.com.tw)

## Datavideo Europe

Datavideo Technologies Europe BV  
Floridadreef 106  
3565 AM Utrecht,  
The Netherlands  
Tel: +31-30-261-96-56  
Fax: +31-30-261-96-57  
E-mail: [info@datavideo.nl](mailto:info@datavideo.nl)

## Datavideo United Kingdom

Datavideo UK Limited  
Units 1 & 2 Waterside Business Park  
Hadfield, Glossop, Derbyshire  
SK13 1BE, UK  
Tel: +44-1457 851 000  
Fax: +44-1457 850 964  
E-mail: [sales@datavideo.co.uk](mailto:sales@datavideo.co.uk)

## Datavideo USA

Datavideo Corporation  
7048 Elmer Avenue.  
Whittier, CA 90602,  
U.S.A.  
Tel: +1-562-696 2324  
Fax: +1-562-698 6930  
E-mail: [sales@datavideo.us](mailto:sales@datavideo.us)

## Datavideo China

Datavideo Technologies China Co  
101, NO.618, LiuYing Rd, Zhabei District,  
Shanghai, China  
Tel: +86 21-5603 6599  
Fax: +86 21-5603 6770  
E-mail: [service@datavideo.cn](mailto:service@datavideo.cn)

## Datavideo Singapore

Datavideo Technologies (S) PTE Ltd  
No. 178 Paya Lebar Road #06-03  
Singapore 409030  
Tel: +65-6749 6866  
Fax: +65-6749 3266  
E-mail: [sales@datavideo.sg](mailto:sales@datavideo.sg)

## Datavideo Hong Kong

Datavideo Hong Kong Ltd  
G/F., 26 Cross Lane  
Wanchai, Hong Kong  
Tel: +852-2833-1981  
Fax: +852-2833-9916  
E-mail: [info@datavideo.com.hk](mailto:info@datavideo.com.hk)

## Datavideo France

Datavideo France s.a.r.l  
Cité Descartes 1, rue Albert Einstein  
Champs sur Marne  
774477-Marne la Vallée cedex 2  
Tel: +33-1-60370246  
E-mail: [info@datavideo.fr](mailto:info@datavideo.fr)

## Datavideo India

Datavideo Technologies India Pvt Ltd  
A-132, Sec-63, Noida-201307,  
Uttar Pradesh (UP), India.  
Tel: +91-0120-2427337  
Fax: +91-0120-2427338  
E-mail: [sales@datavideo.in](mailto:sales@datavideo.in)



Please refer to our website for update the latest version manual.  
[www.datavideo.com/Virtual+Green+Board+System/LBK-1](http://www.datavideo.com/Virtual+Green+Board+System/LBK-1)

**datavideo**  
[www.datavideo.com](http://www.datavideo.com)