

**GLENSOUND
ELECTRONICS LTD**

GS-CU012

**COMMENTATORS BOX
WITH TBU**

PRODUCT DETAILS

GLENSOUND ELECTRONICS LTD

GS-CU012

BBC Commentator Unit With TBU

HANDBOOK CONTENTS

DATE 24/02/12

WP06-427

ISSUE No. 1

	DESCRIPTION	DRAWING No
1.	Warranty, CE & Emissions	
2.	GS-CU012 Panel Views	A2-16560
3.	GS-CU012 Block Diagram	A4-16540
4.	GSW83 Inputs Diagram	A3-16708
5.	GSW83 PPM & H/Ps Circuit Diagram	A4-16710
6.	GSW82 Outputs Circuit Diagram	A4-16712
7.	GSW82 PSU Circuit Diagram	A4-16714
8.	GSY03 Outputs Diagram	A3-17008





Thank you for choosing a new GlenSound product.

All rights reserved.

Information contained in this manual is subject to change without notice, if in doubt please contact us for the latest product information.

If you need any help with the product then we can be contacted at:

GlenSound Electronics Ltd
1 – 6 Brooks Place
Maidstone
Kent
ME14 1HE
United Kingdom

Telephone: +44 (0) 1622 753662
Fax: +44 (0) 1622 762330

EMAIL ADDRESSES

General enquires: office@glenSound.co.uk
Technical enquires: techinfo@glenSound.co.uk
Sales enquires: sales@glenSound.co.uk

PRODUCT WARRANTY:

All equipment is fully tested before dispatch and carefully designed to provide you with trouble free use for many years.

We have a policy of supporting products for as long as possible and guarantee to be able to support your product for a minimum of 10 years.

For a period of one year after the goods have been despatched the Company will guarantee the goods against any defect developing after proper use providing such defects arise solely from faulty materials or workmanship and that the Customer shall return the goods to the Company's works or their local dealer.

All non wear parts are guaranteed for 2 years after despatch and any defect developing after proper use from faulty materials or workmanship will be repaired under this warranty providing the Customer returns the goods to the Company's works or their local dealer.



This equipment manufactured by Glen sound Electronics Ltd of Brooks Place
Maidstone Kent ME14 1HE is **CE** marked and conforms to:

Low Voltage Directive: EN60204.1
Emissions: EN55103.1
Immunity: EN55103.2

WASTE ELECTRICAL AND ELECTRONIC EQUIPMENT REGULATIONS 2006 (WEEE)

Glen sound Electronics Ltd is registered for business to business sales of
WEEE in the UK our registration number is:

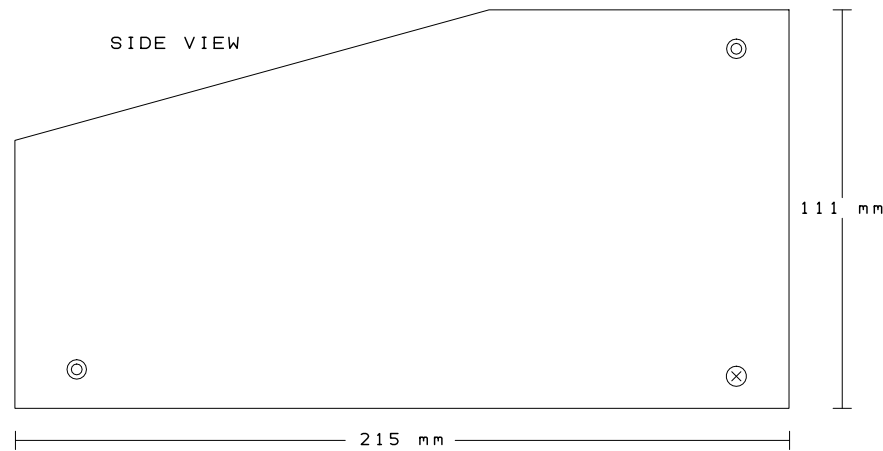
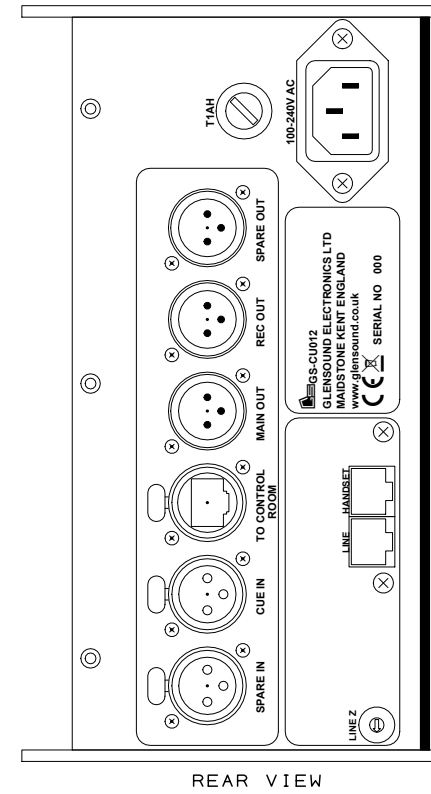
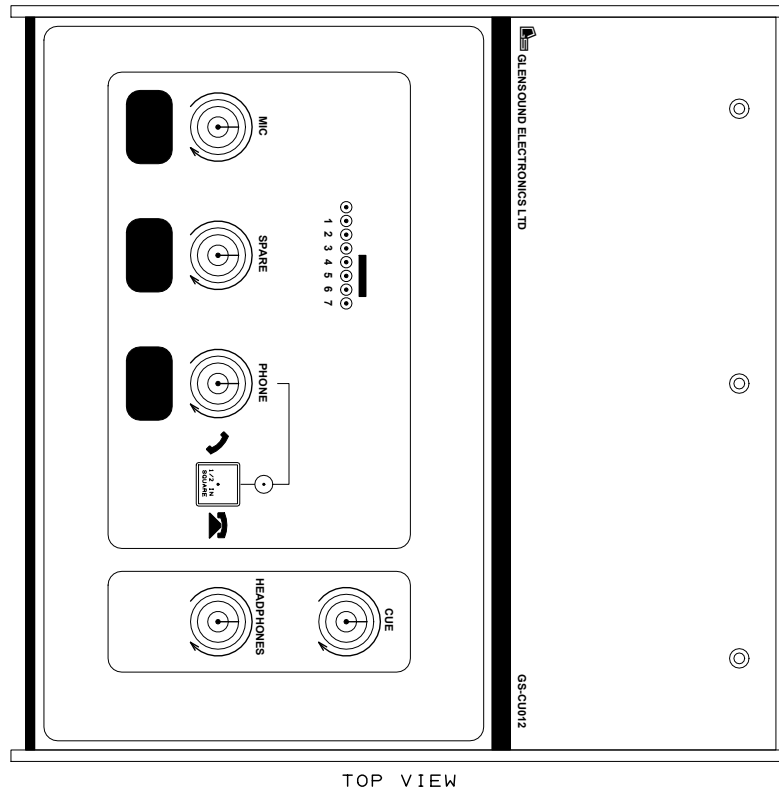
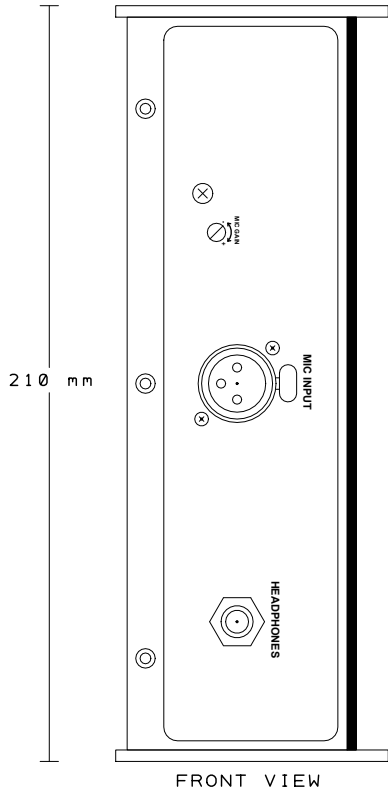
WEE/JJ0074UR

RoHS DIRECTIVE

EC directive 2002/95/EC restricts the use of the hazardous substances listed
below in electrical and electronic equipment.

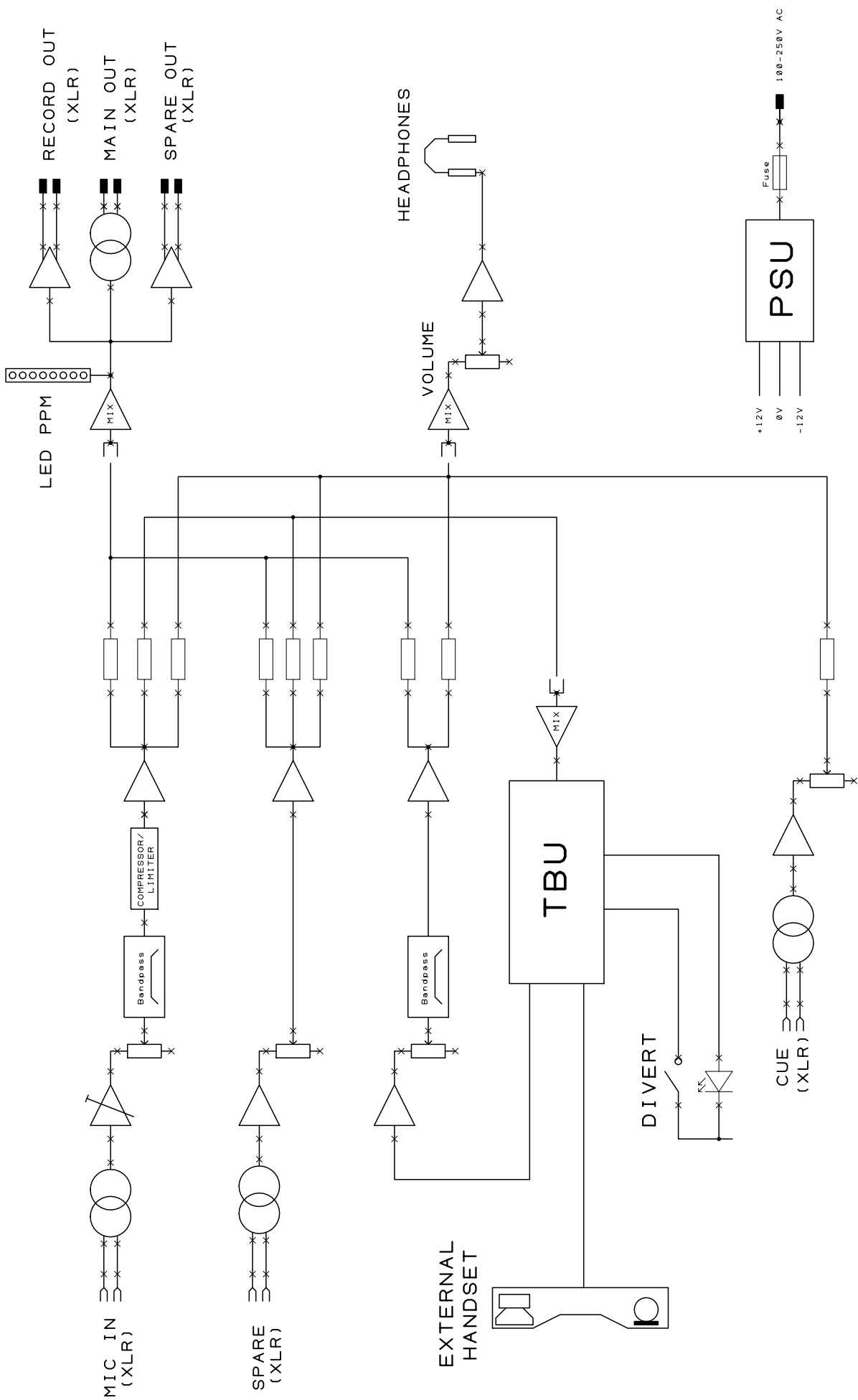
This product conforms to the above directive and for this purposes, the
maximum concentration values of the restricted substances by weight in
homogenous materials are:

Lead	0.1%
Mercury	0.1%
Hexavalent Chromium	0.1%
Polybrominated Biphenyls	0.1%
Polybrominated Diphenyl Ethers	0.1%
Cadmium	0.01%



ISSUE		(C) Glensound 2009	
DATE	03/11/09	SUBJECT	GS-CU012 PANEL VIEWS
DRAWN	CJH	DRG. REF.	A2-16560

Glensound Electronics Ltd.
 6 Brooks Place, Maidstone, Kent. ME14 1HE.
 www.glen sound.co.uk Tel: +44 (0) 1622 753662



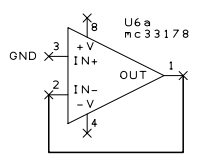
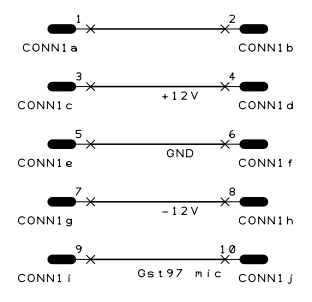
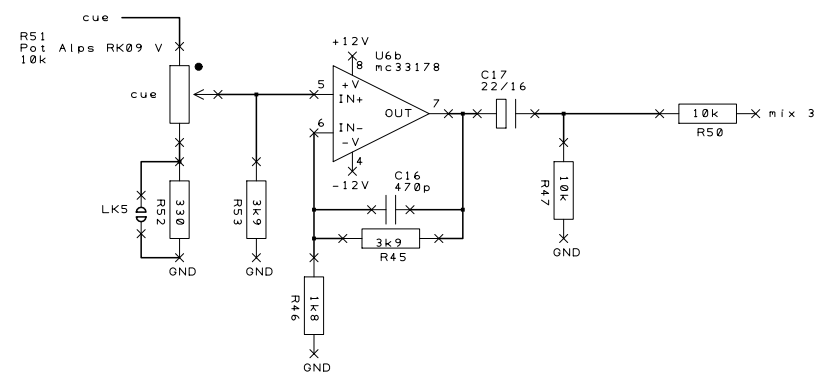
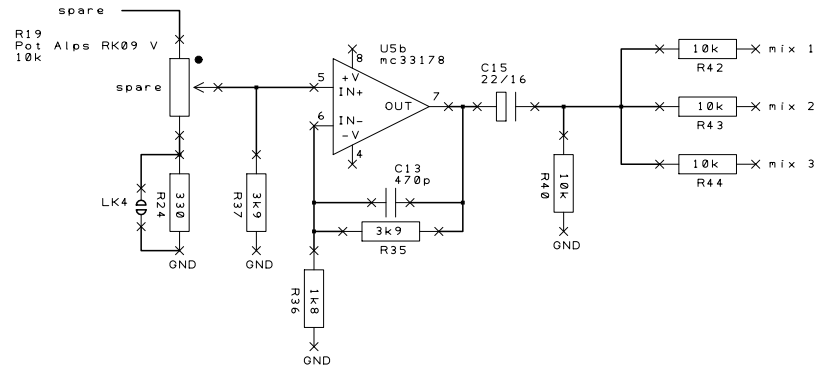
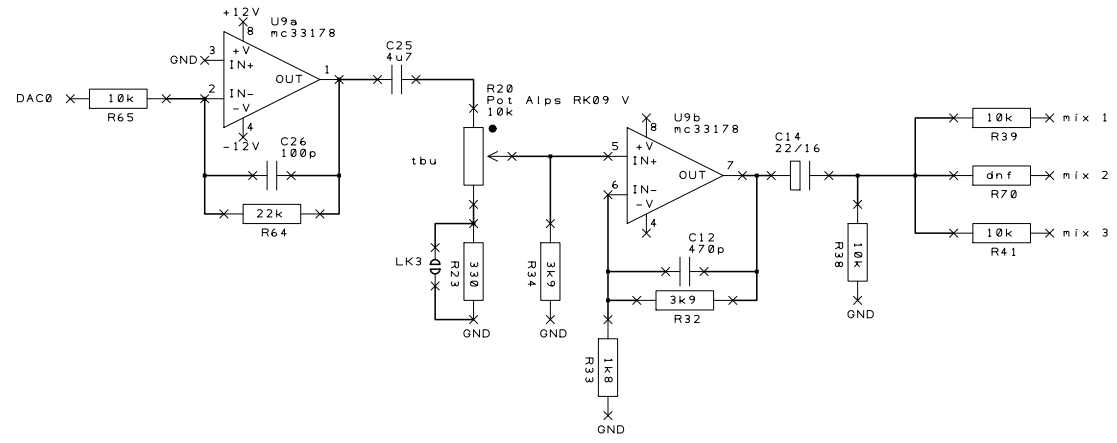
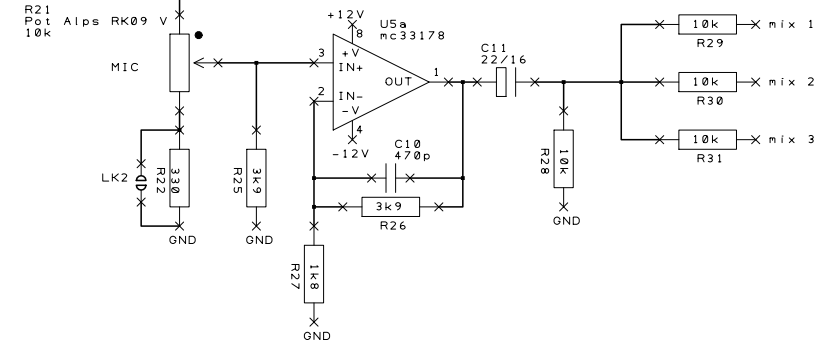
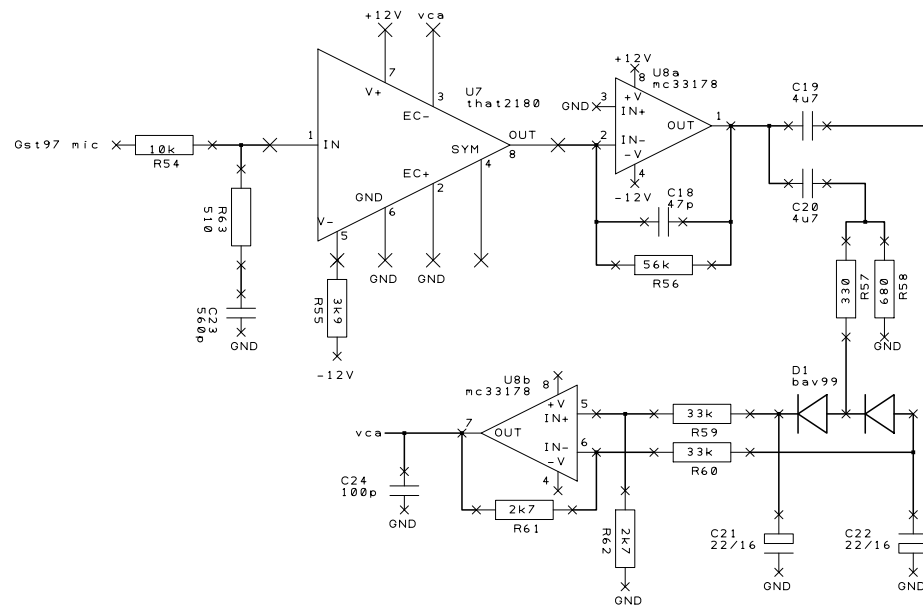
(c) GLENSOUND

SUBJECT GS-CU012 BLOCK DIAGRAM

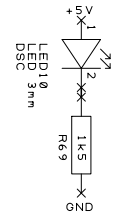
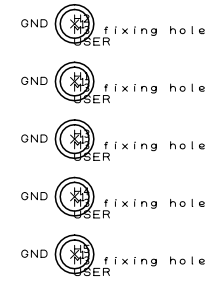
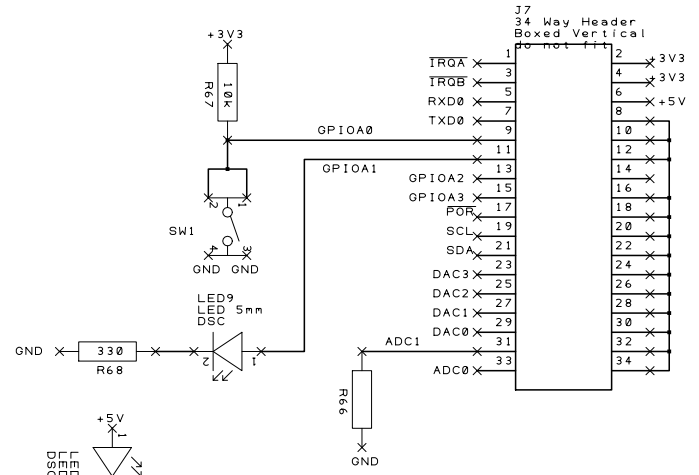
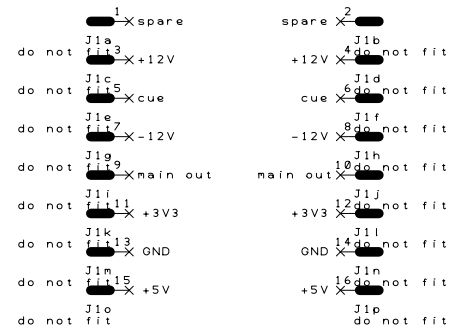
DRG. REF.

A4-16540

ISSUE	1
DATE	17/08/09
DRAWN	CJH



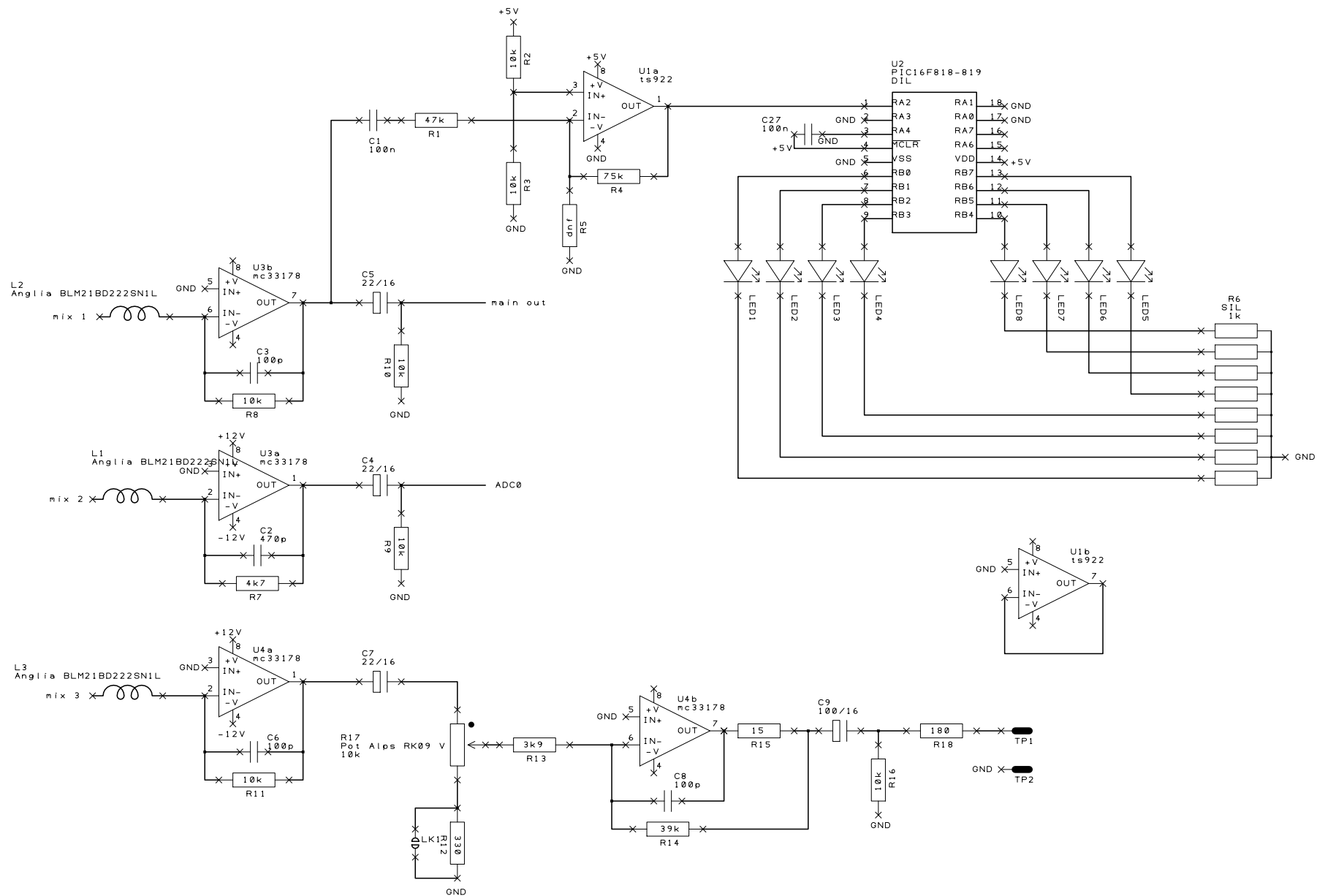
From GSW82



ISSUE	1				
DATE	02/06/10				
DRAWN	CJH				

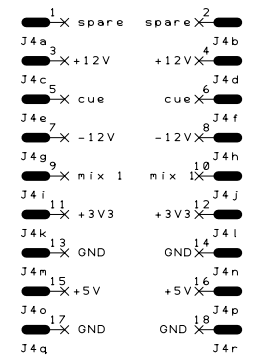
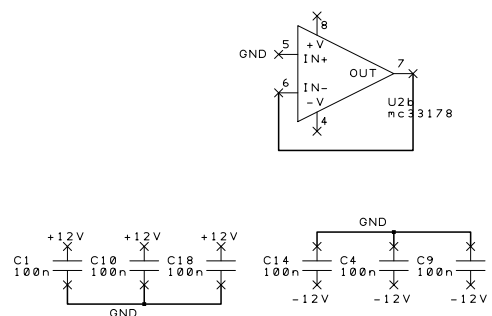
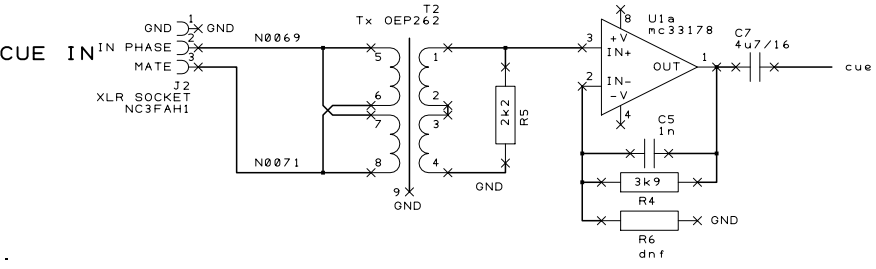
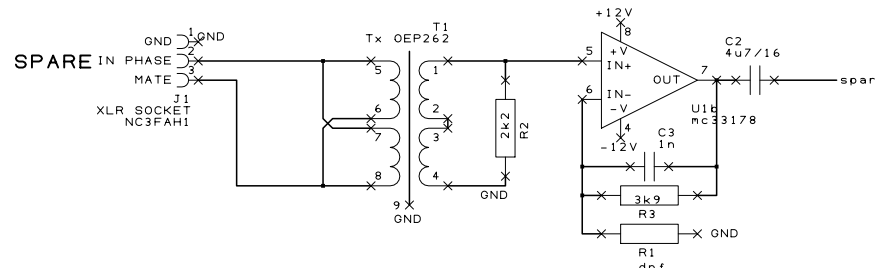
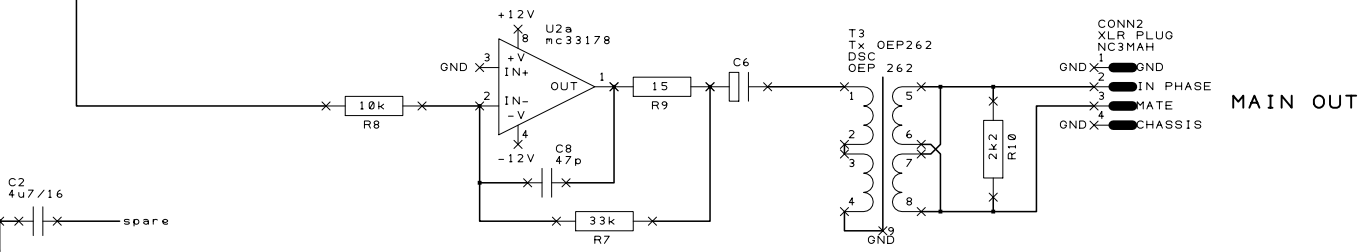
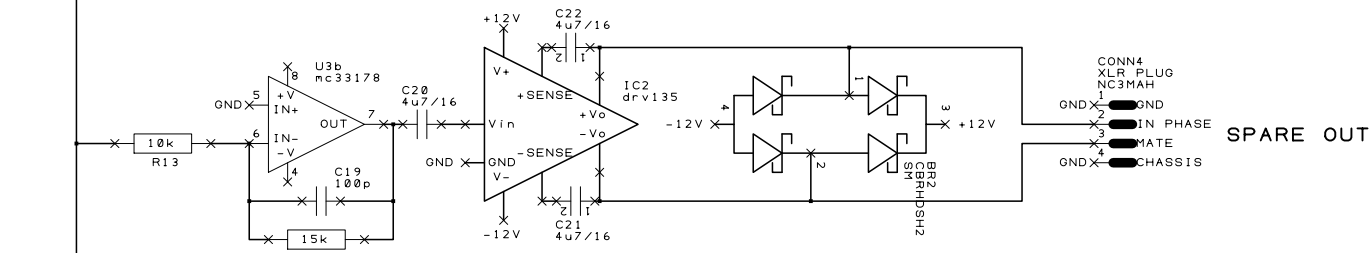
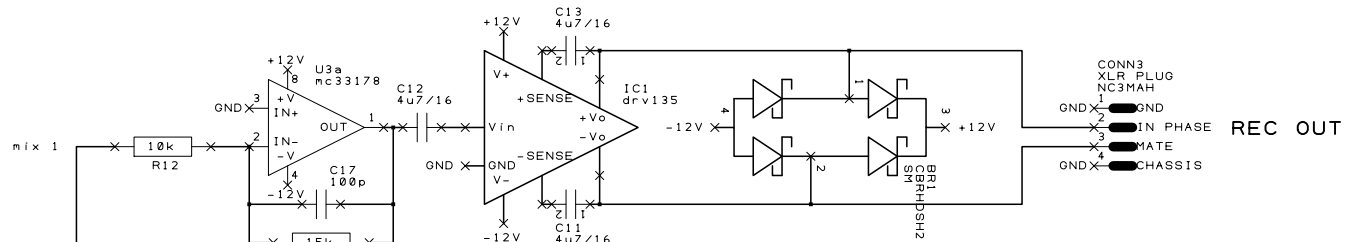
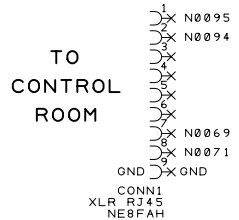
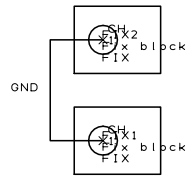
(c) GLENSOUND
 SUBJECT
 GSW83 INPUTS CIRCUIT DIAGRAM
 DRG. REF.
 A3-16708





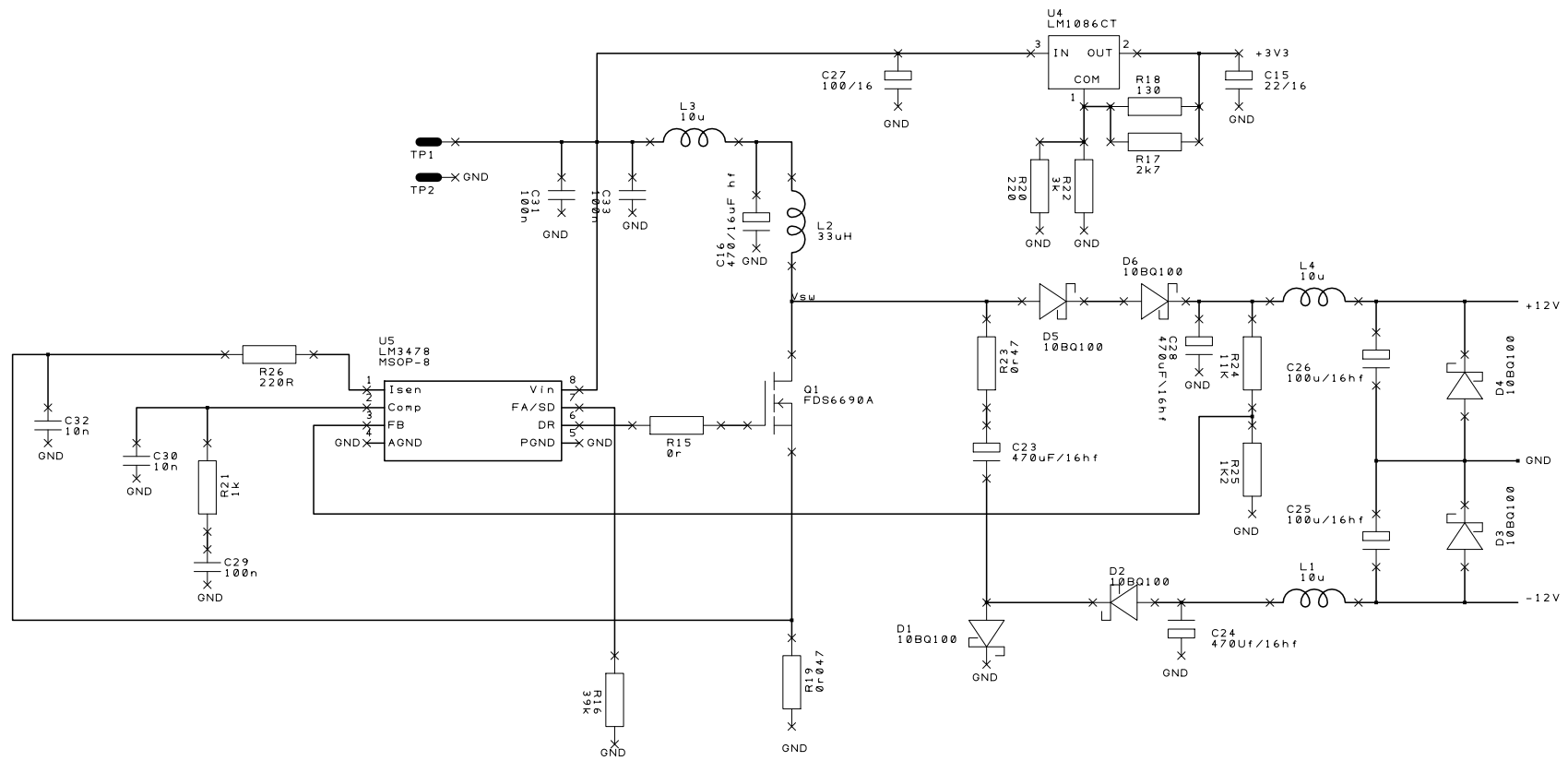
ISSUE	1					(c) GLENSOUND
DATE	02/06/10					SUBJECT
DRAWN	CJH					DRG. REF. A4-16710





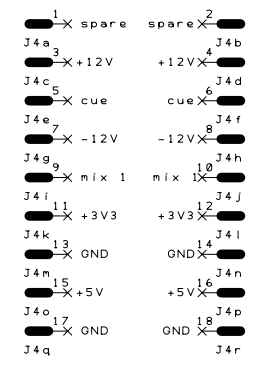
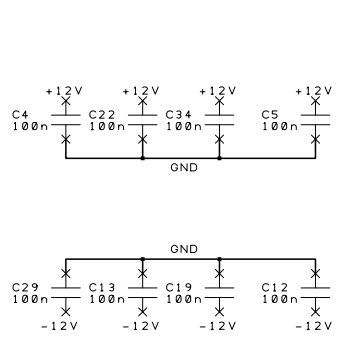
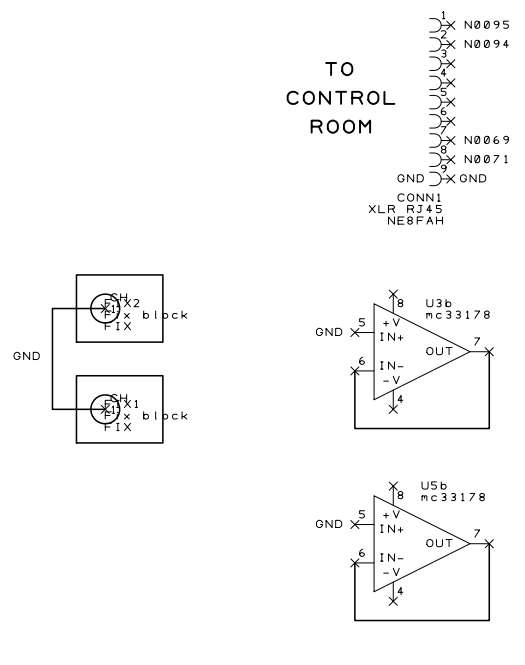
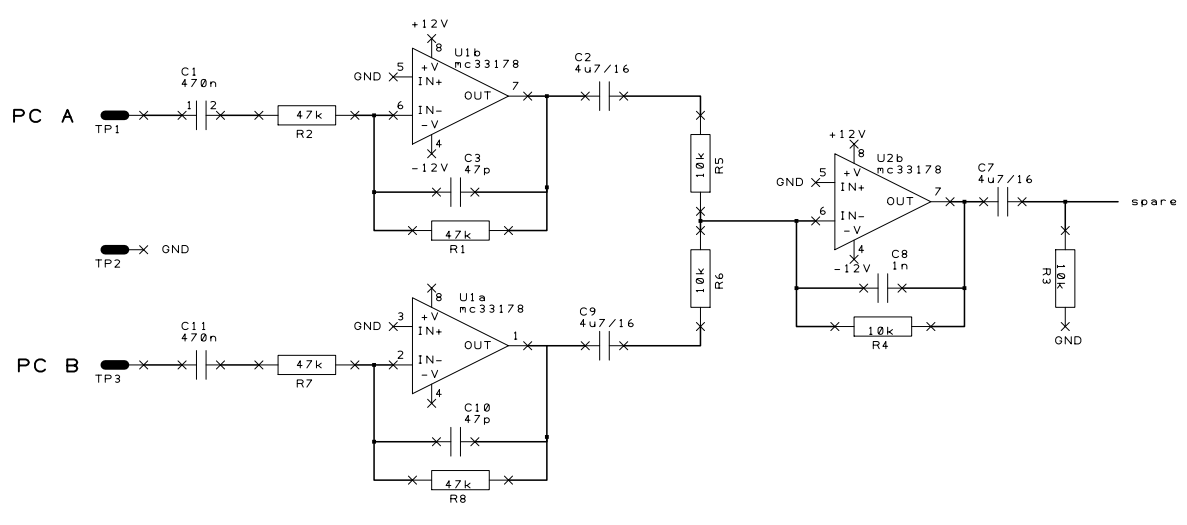
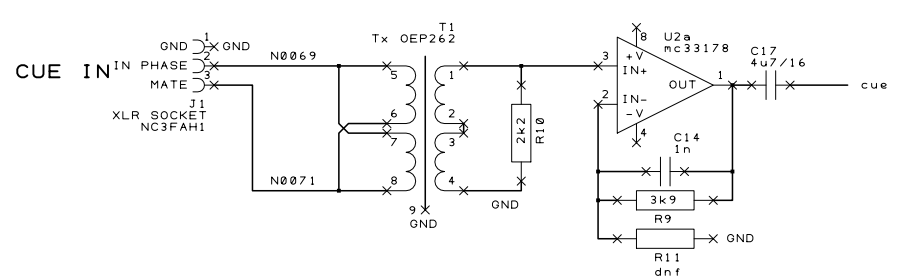
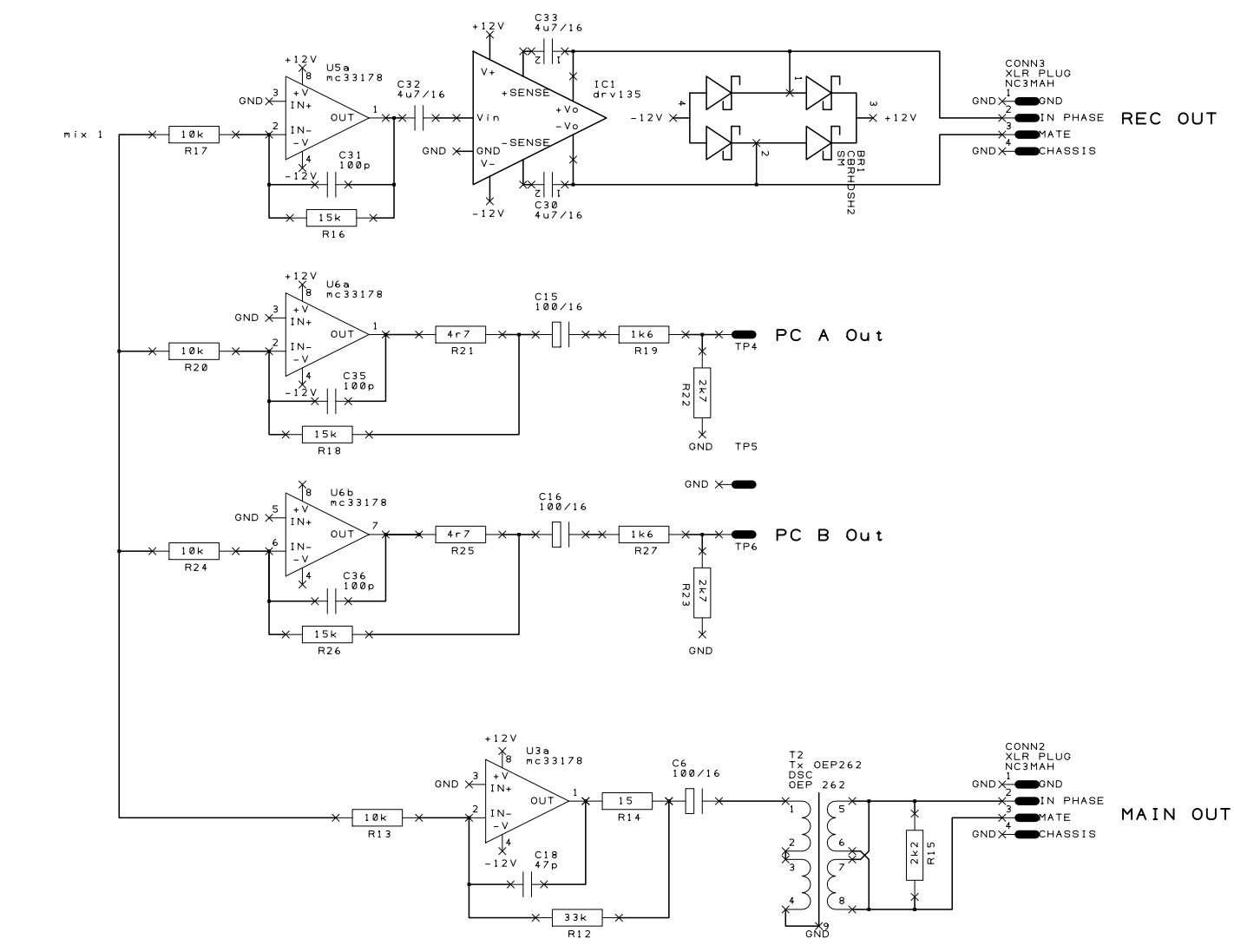
ISSUE	1				(c) GLENSOUND
DATE	02/06/10				SUBJECT GSW82 OUTPUTS DIAGRAM
DRAWN	CJH				DRG. REF. A4-16712





ISSUE	1				(c) GLENSOUND	
DATE	02/06/10				SUBJECT	GSW82 PSU CIRCUIT DIAGRAM
DRAWN	CJH				DRG. REF.	A4-16714

 GLENSOUND
ELECTRONICS LTD.



ISSUE	1			
DATE	27/01/12			
DRAWN	CJH			

(c) GLENSOUND

SUBJECT
GSY03 OUTPUTS DIAGRAM

DRG. REF.
A3-17008

