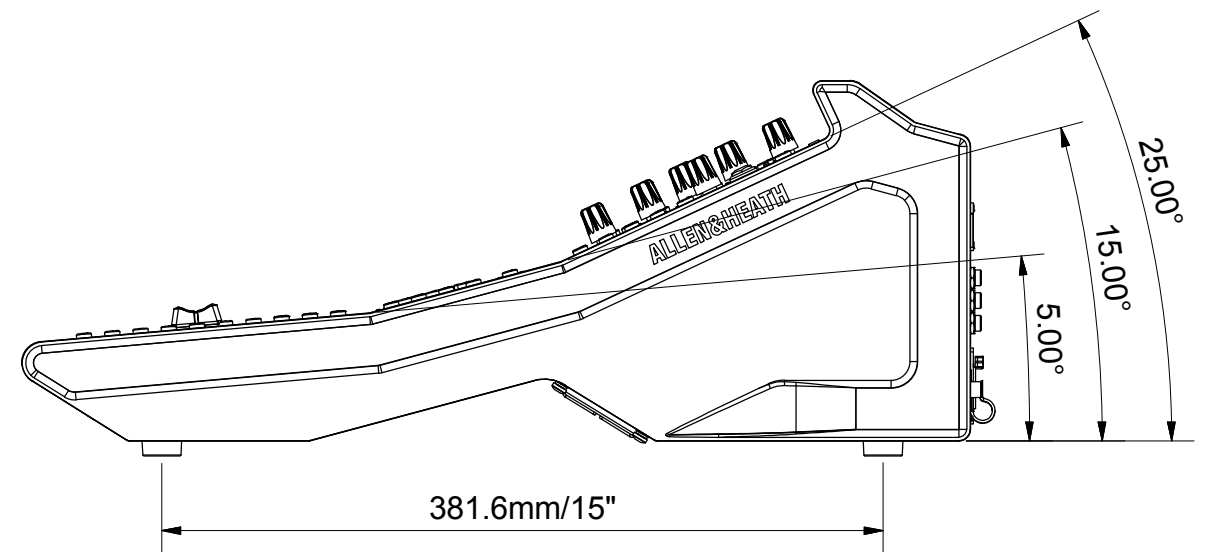
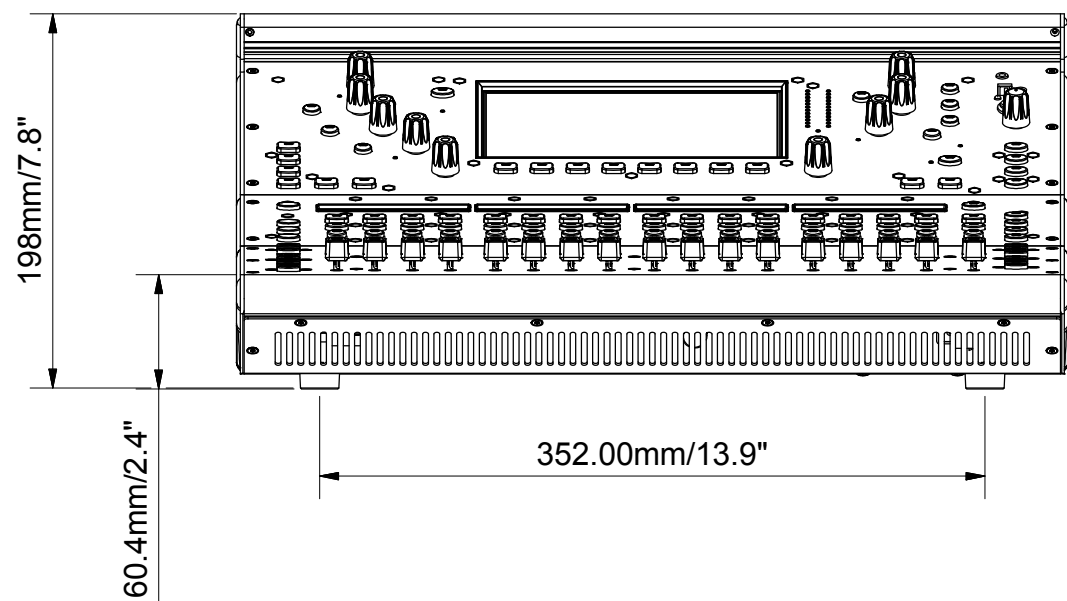


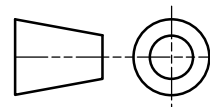
SQ-5 - without box
 Width - 440mm/17.3"
 Depth - 514.9mm/20.3"
 Height - 198mm/7.8"
 Weight - 10.5kg/23.1lbs

SQ-5 - with box
 Width - 610mm/24"
 Depth - 680mm/26.8"
 Height - 360mm/14.2"
 Weight - 14kg/30.9lbs



REVISION HISTORY				
REV	DESCRIPTION	ECN	DATE	APPROVED
1	PILOT RUN		07/06/2017	ALEXMO

THIRD ANGLE PROJECTION



MATERIAL:
 All materials to be compliant with The Restriction of Hazardous Substances (ROHS2) Directive 2011/65/EU
 TOLERANCES U O S:
 GENERAL ± 0.25 HOLE CENTRES ± 0.10
 HOLE SIZES ± 0.05 ANGULAR DIMS ± 0.50°

FINISH:

DRAWING
 MAIN ASSY
 UNIT SQ-5
 PART No 007-193
 DRAWING No Weights and Measures SQ-5

ALLEN & HEATH Ltd.
 KERNICK INDUSTRIAL ESTATE
 PENRYN CORNWALL TR10 9LU
 TELEPHONE 01326 372070
 FACSIMILE 01326 370153
 SHEET 1 of 1
 ISSUE 1