

Drive multiple destinations the right way

MIC TALLY GIZMO



The light bulb moment. Now in two colors!

Mic Tally Gizmo



You splurged. You bought gorgeous new MIKA microphone arms for the studio. And you got the ones with the tally lights. Good thinking. In the Smartphone era, guests get distracted. You need a way to get their attention and the mic arm tally lights are um, brilliant.

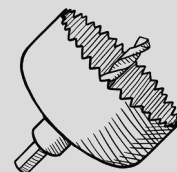


MIKA is a registered trademark of Yellowtec GmbH. MIKA mic arm shown courtesy Yellowtec GmbH.

So how exactly do you light those up anyway? With our Mic Tally Gizmo, of course! The 5-pin XLR topside carries the microphone audio and the signal voltage for the tally light. The microphone signal is passed through to a 3-pin XLR connector on the bottom.

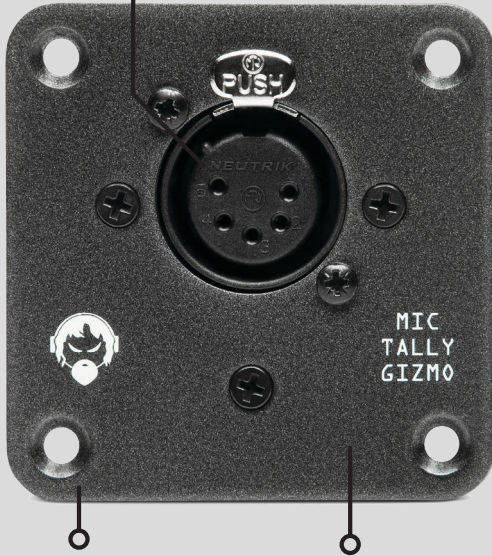
Dual logic inputs drive the tally either red or white. Red is usually the color for on-air. White can be used for an alternate signal. Ready light, talkback indicator, phone ringer, pizza delivery. You'll come up with a bright idea.

You won't need a carpenter to install the Mic Tally Gizmo in your furniture. Even if you're not that handy, you can handle a hole saw. A 2- $\frac{1}{8}$ inch hole is as easy as installing a desk grommet. Your studios will look amazing and you'll look brilliant.



Mic Tally Gizmo

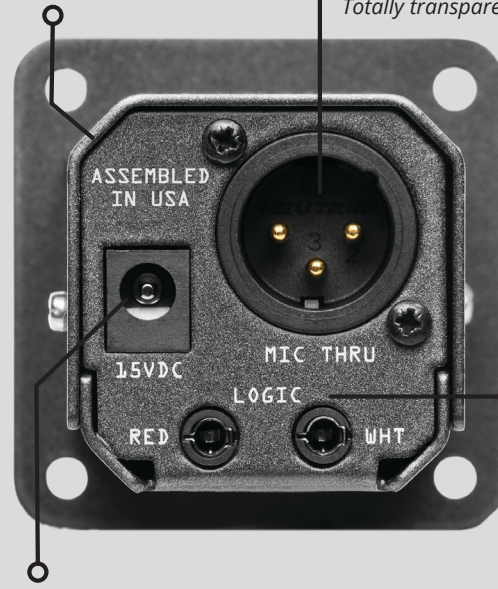
5-Pin XLR carries microphone audio and tally signaling.



Installs into a round "grommet" hole for a streamlined, finished look.

Powder-coated steel enclosure keeps out RFI.

Anchor holes for (included) tie wraps to manage cables.



Microphone audio connection to your preamp. Totally transparent.

Separate optically-isolated logic ports to activate the red or white tally light.

Input for (included) external 15Vdc power supply.

Specifications:

Connections

Mic Arm Input
Mic Thru
Logic Ports
Power

5-pin XLR female jack
3-pin XLR male jack
3.5mm TRSS jack
15VDC input

Power and Environmental

Universal Power Supply
Power Output (Adapter)
Tally Output
Operating Temperature
Storage Temperature
Relative Humidity

100-240VAC, 50-60Hz, various plugs
15VDC, 200mA, 3.0W
12VDC, 80mA
0° to 40° C (32° to 104° F)
-20° to 45° C (-4° to 113° F)
0% to 90% non-condensing

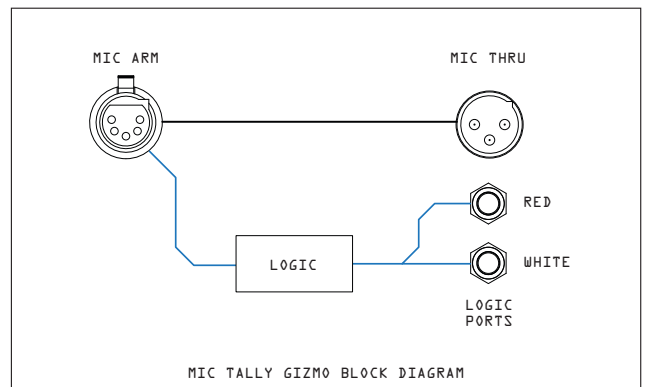
Product Weight & Dimensions

Shipping box

9in x 5in x 5in, 4 pounds

Box Includes:

Mic Tally Gizmo
Power Adapter
AC Blades: US, UK, AU, EU
XLR to RJ45 Adapter
3.5mm to screw terminal adapter (2x)



Part number: 991025



Balancing Gadgets

All three Balancing Gadgets feature an internal low-noise linear power supply, direct coupled transformerless analog circuitry and our exclusive input design that suppresses common mode noise. The result is the most sonically-transparent devices available. Never any buzz, hum, hiss or RFI.



Bluetooth Gadget

Bidirectional smartphone to PRO audio interface. Use your Bluetooth-equipped device for audio playback, phone calls, skype, etc. AAC and APTX audio codecs provide premium audio quality.



Talkshow Gadget

Adds broadcast features to audio mixers. Monitor speaker muting and volume control, pushbutton microphone control, on-air warning logic. All passive signal chain features sealed gold-contact relays.



Fail-safe Gadget

Stereo silence sensor and backup audio switcher. Adjustable threshold and delay. Alarm logic port. Can also be used to switch when audio is active.



Distribution Gadget

2x4 stereo or 2x8 monaural analog audio distribution amplifier. Choose from IHF or PRO audio input. Each output pair can be stereo or mono sum.



Guest Gizmo

Stereo headphone amplifier, Cough (mute) button, tally lamp driver. Installs in desktop. High power headphone amplifier can drive high or low impedance headphones.



Mic Tally Gizmo

Driver for MIKA mic arms equipped with LED tally. Installs in desktop. Dual logic inputs to illuminate tally either red or white.



Headphone Gizmo

Premium stereo headphone amplifier with StudioHub RJ45 connectors for input and daisy-chain output. Innovative circuitry can drive high impedance or low impedance headphones with power to spare.

ANGRY AUDIO LLC

128 Holiday Court, Suite 118
Franklin TN 37067 USA

+1 (615) 763-3033
www.AngryAudio.com
answers@angryaudio.com