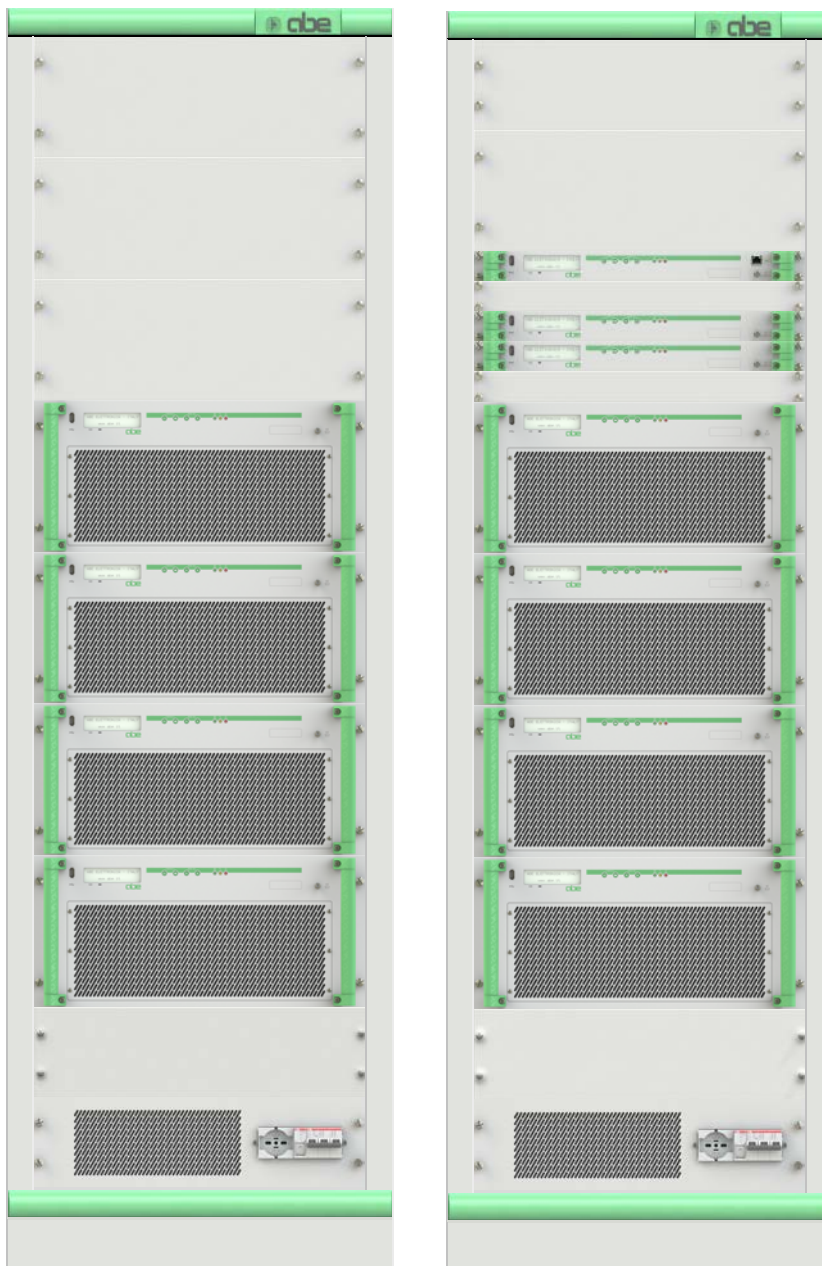


MTX SERIES: MULTISTANDARD MULTIMODE DIGITAL & ANALOG TERRESTRIAL TV TRANSMITTER LINE

CONFIGURATION EXAMPLE:

10KW UHF DIGITAL TV TRANSMITTER (DUAL DRIVER – EIGHT AMPLIFIERS)



System Control & Automatic
Changeover

DTX - driver "A"
DTX - driver "B (standby unit)

N°8 Amplifier 1.250W

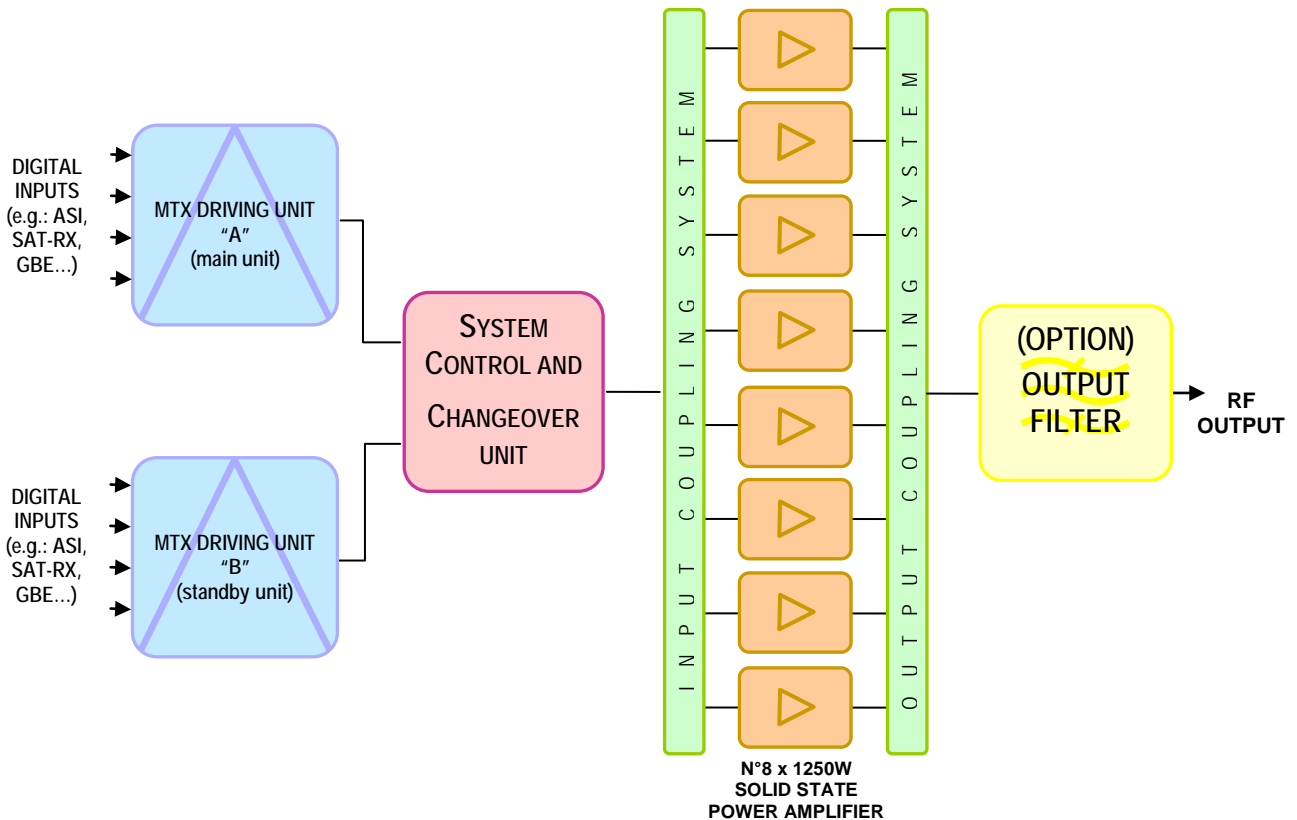
The "MTX" is a Software
Defined Radio Transmitter
/Transposer Series easily
configurable or re-
configurable as analog or
digital multistandard unit.

ANALOG - DVB-T/H -
DVB-T2 - ISDB-T/Tb -
ATSC



Mains switch

MTX D 10K /U-DD (DUAL DRIVER) BLOCK DIAGRAM



MTX D 10 K /U -DD Standard specification

GENERAL SPECIFICATIONS

Output frequency range:	UHF 470 to 860MHz in 1Hz steps
Output Power (before output filter):	10.000W rms (tol. +0/-1dB)
Output connector:	Flange 3+1/8"
MER:	35dB (typ.; min. \geq 32dB)
Shoulders attenuation (before output filter):	38dB (typ.; min. \geq 36dB)
Housing:	2x Rack Cabinet 19" 38U; dimension: 570 x 1900 x 1000 mm (W x H x D) each
Power consumption:	<54KVA (typ. 42KVA) – Standard Broadband Configuration <33,5KVA (typ. 30KVA) – High Efficiency Narrowband Configuration (with reduced performances)
Power supply:	400 Vac \pm 10% 50/60Hz three phases (different power supplies and tolerances available on request)

Notes:

For standard specifications and general description, please refer to "MTX series" brochure.
For TV transmitter driver technical specifications please refer to "MTX series – driving unit" brochure.

All specifications contained in this document may be changed without prior notice.