



## MTX SERIES: MULTISTANDARD MULTIMODE DIGITAL & ANALOG TERRESTRIAL TV TRANSMITTER LINE

### CONFIGURATION EXAMPLE:

3KW UHF ANALOG TV TRANSMITTER (SINGLE DRIVER – DUAL AMPLIFIER)



Output filter

MTX – Driving Unit

Amplifier 1800W "A"

Amplifier 1800W "B"

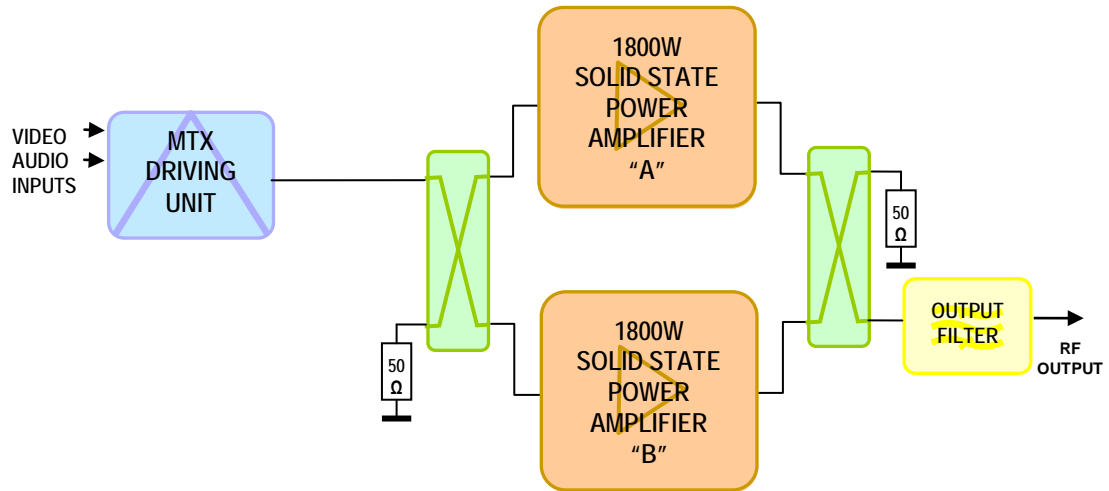
Mains switch

The "MTX" is a Software Defined Radio Transmitter /Transposer Series easily configurable or re-configurable as analog or digital multistandard unit.

ANALOG - DVB-T/H - DVB-T2 - ISDB-T/Tb - ATSC



## MTX A 3K /U BLOCK DIAGRAM



### MTX A 3K /U Standard specification

#### GENERAL SPECIFICATIONS

Output frequency range:	UHF 470 to 860MHz in 1Hz steps
Output Power (after filter) :	3000W p.s. (tol. +0/-1dB)
Output connector:	Flange 1+5/8"
Housing:	Rack Cabinet 19" 25U; dimension: 570 x 1250 x 870 mm (W x H x D)
Power consumption:	<8,5KVA (typ. 7KVA)
Power supply:	400 Vac $\pm$ 10% 50/60Hz three phases (different power supplies and tolerances available on request)

#### Notes:

For standard specifications and general description, please refer to "MTX series" brochure.  
For TV transmitter driver technical specifications please refer to "MTX series – driving unit" brochure.

All specifications contained in this document may be changed without prior notice.