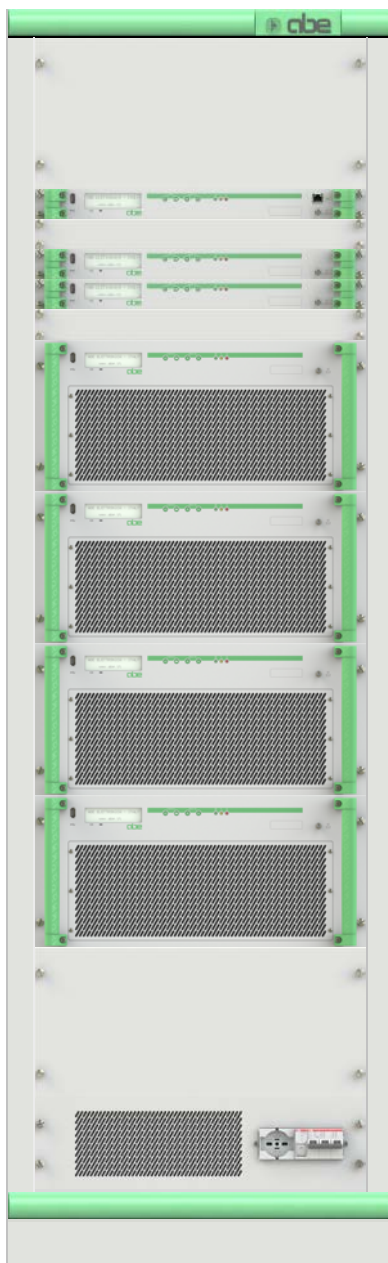


## MTX SERIES: MULTISTANDARD MULTIMODE DIGITAL & ANALOG TERRESTRIAL TV TRANSMITTER LINE

### CONFIGURATION EXAMPLE:

10KW VHF ANALOG TV TRANSMITTER (DUAL DRIVER – MULTI AMPLIFIERS)



Output filter

System Control & Automatic Changeover

MTX – Driving Unit "A"

MTX - Driver Unit "B (standby unit)

Amplifier 3KW "A"

Amplifier 3KW "B"

Amplifier 3KW "C"

Amplifier 3KW "D"

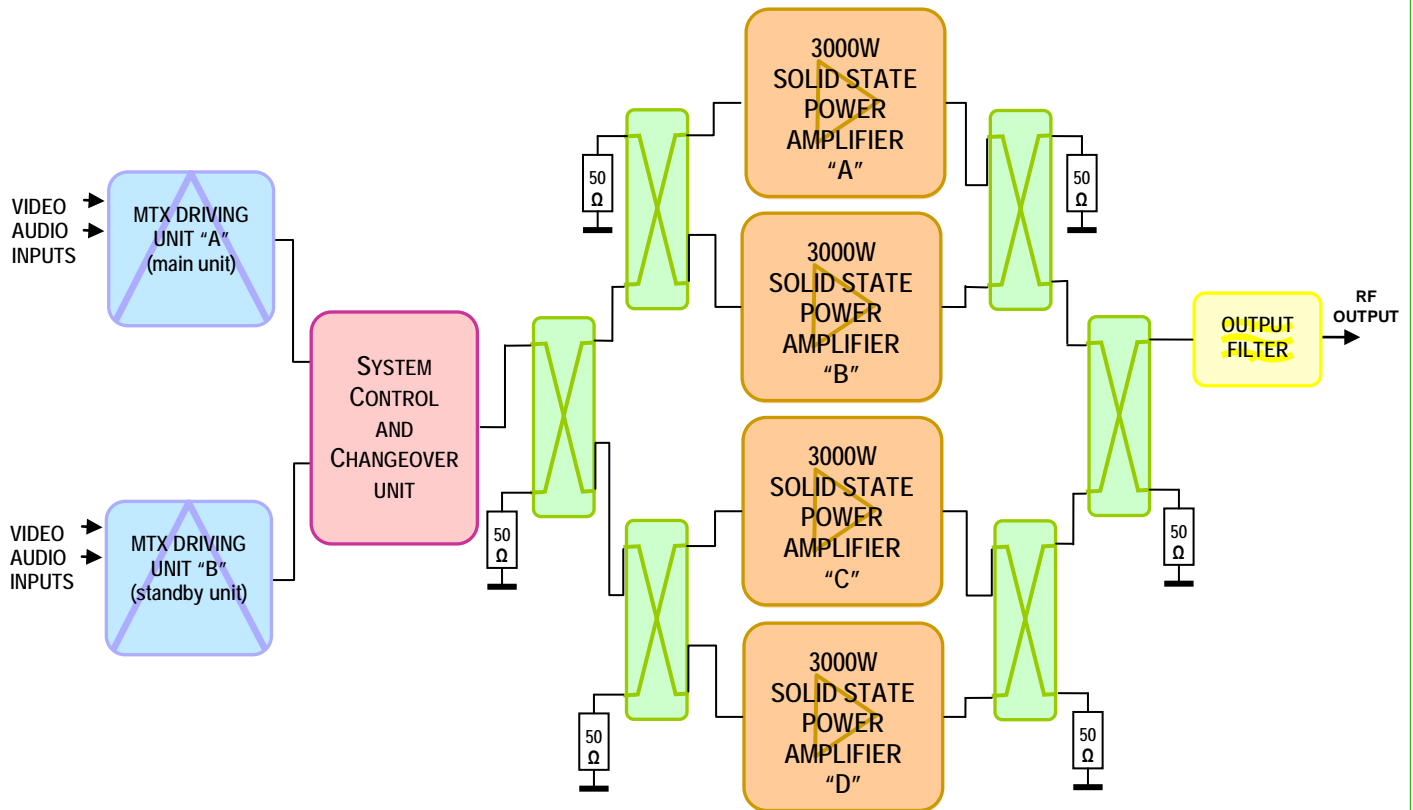
Mains switch

The "MTX" is a Software Defined Radio Transmitter /Transposer Series easily configurable or re-configurable as analog or digital multistandard unit.

ANALOG - DVB-T/H - DVB-T2 -  
ISDB-T/Tb - ATSC



## MTX A 10K /V -DD (DUAL DRIVER) BLOCK DIAGRAM



### MTX A10K/V-DD Standard specification

#### GENERAL SPECIFICATIONS

Output frequency range:	VHF 175 to 230MHz in 1Hz steps
Output Power (after filter):	10.000W p.s. (tol. +0/-1dB)
Output connector:	Flange 3+1/8"
Housing:	Rack Cabinet 19" 38U; dimension: 570 x 1900 x 1000 mm (W x H x D)
Power consumption:	<25KVA (typ. 23KVA)
Power supply:	400 Vac $\pm$ 10% 50/60Hz three phases (different power supplies and tolerances available on request)

#### Notes:

For standard specifications and general description, please refer to "MTX series" brochure.  
For TV transmitter driver technical specifications please refer to "MTX series – driving unit" brochure.

All specifications contained in this document may be changed without prior notice.